

---

Stream: Internet Engineering Task Force (IETF)  
RFC: [9826](#)  
Category: Standards Track  
Published: August 2025  
ISSN: 2070-1721  
Authors: D. Dhody, Ed. V. Beeram J. Hardwick J. Tantsura  
*Huawei Juniper Networks Nvidia*

# RFC 9826

## A YANG Data Model for the Path Computation Element Communication Protocol (PCEP)

---

### Abstract

This document defines a YANG data model for the management of the Path Computation Element Communication Protocol (PCEP) for communications between a Path Computation Client (PCC) and a Path Computation Element (PCE), or between two PCEs.

### Status of This Memo

This is an Internet Standards Track document.

This document is a product of the Internet Engineering Task Force (IETF). It represents the consensus of the IETF community. It has received public review and has been approved for publication by the Internet Engineering Steering Group (IESG). Further information on Internet Standards is available in Section 2 of RFC 7841.

Information about the current status of this document, any errata, and how to provide feedback on it may be obtained at <https://www.rfc-editor.org/info/rfc9826>.

### Copyright Notice

Copyright (c) 2025 IETF Trust and the persons identified as the document authors. All rights reserved.

This document is subject to BCP 78 and the IETF Trust's Legal Provisions Relating to IETF Documents (<https://trustee.ietf.org/license-info>) in effect on the date of publication of this document. Please review these documents carefully, as they describe your rights and restrictions with respect to this document. Code Components extracted from this document must include Revised BSD License text as described in Section 4.e of the Trust Legal Provisions and are provided without warranty as described in the Revised BSD License.

## Table of Contents

1. Introduction	3
2. Requirements Language	3
3. Terminology and Notation	4
3.1. Tree Diagrams	5
3.2. Prefixes in Data Node Names	5
3.3. References in the YANG Data Model	5
4. The Design of PCEP Data Model	8
4.1. The Entity	9
4.1.1. The Peer List	13
4.1.1.1. The Session List	15
4.2. Notifications	16
4.3. RPC	17
5. The Design of PCEP Statistics Data Model	17
6. Advanced PCE Features	21
6.1. Stateful PCE's LSP-DB	21
7. Other Considerations	21
7.1. PCEP over TLS (PCEPS)	21
8. PCEP YANG Modules	22
8.1. ietf-pcep Module	22
8.2. ietf-pcep-stats Module	71
9. Security Considerations	83
10. IANA Considerations	85
11. References	85
11.1. Normative References	85
11.2. Informative References	89
Appendix A. The Full PCEP Data Model	90
Appendix B. Example	97

---

<a href="#">Appendix C. Design Objectives</a>	100
<a href="#">Appendix D. Relationship with PCEP MIB</a>	100
<a href="#">Acknowledgements</a>	106
<a href="#">Contributors</a>	107
<a href="#">Authors' Addresses</a>	108

## 1. Introduction

The Path Computation Element (PCE) defined in [RFC4655] is an entity that is capable of computing a network path or route based on a network graph and applying computational constraints. A Path Computation Client (PCC) may make requests to a PCE for paths to be computed.

PCEP is the communication protocol between a PCC and PCE; it is defined in [RFC5440]. PCEP interactions include path computation requests and path computation replies as well as notifications of specific states related to the use of a PCE in the context of Multiprotocol Label Switching (MPLS) and Generalized MPLS (GMPLS) Traffic Engineering (TE). [RFC8231] specifies extensions to PCEP to enable stateful control of MPLS-TE Label Switched Paths (LSPs). [RFC8664] and [RFC9603] extend PCEP to support Segment Routing in MPLS and IPv6, respectively.

This document defines a YANG 1.1 [RFC7950] data model for the management of PCEP speakers. It is important to establish a common data model for how PCEP speakers are identified, configured, and monitored. The data model includes configuration data and state data.

This document contains a specification of the PCEP YANG module "ietf-pcep", which provides the PCEP [RFC5440] data model. Further, this document also includes the PCEP statistics YANG module "ietf-pcep-stats", which provides statistics, counters, and telemetry data.

The YANG modules in this document conform to the Network Management Datastore Architecture (NMDA) [RFC8342]. The origin of the data is indicated as per the origin metadata annotation.

## 2. Requirements Language

The key words "MUST", "MUST NOT", "REQUIRED", "SHALL", "SHALL NOT", "SHOULD", "SHOULD NOT", "RECOMMENDED", "NOT RECOMMENDED", "MAY", and "OPTIONAL" in this document are to be interpreted as described in BCP 14 [RFC2119] [RFC8174] when, and only when, they appear in all capitals, as shown here.

### 3. Terminology and Notation

This document uses the terminology defined in [RFC4655] and [RFC5440]. In particular, it uses the following:

- Path Computation Request (PCReq) message
- Path Computation Reply (PCRep) message
- Path Computation Notification (PCNtf) message
- Path Computation Error (PCErr) message
- Request Parameters (RP) object
- Synchronization Vector (SVEC) object
- Explicit Route Object (ERO)

This document uses the following terms defined in [RFC7420]:

PCEP entity: a local PCEP speaker

PCEP peer: a remote PCEP speaker

PCEP speaker: term used when it is not necessary to distinguish between local and remote.

Further, this document uses the following terms defined in [RFC8051]:

- Stateful PCE
- Passive Stateful PCE
- Active Stateful PCE
- Delegation

In addition, this document uses the following terms defined in [RFC8231]:

- Revocation
- Redelegation
- Path Computation LSP State Report (PCRpt) message
- Path Computation LSP Update Request (PCUpd) message
- PLSP-ID (a PCEP-specific identifier for the LSP)
- Stateful PCE Request Parameter (SRP)

This document also uses the following terms defined in [RFC8281]:

- PCE-initiated LSP
- Path Computation LSP Initiate (PCInitiate) message

Last, this document uses the following terms, which are defined in the RFCs indicated below:

- Path Setup Type (PST) [RFC8408]
- Segment Routing (SR) [RFC8664]
- Objective Function (OF) [RFC5541]
- Association [RFC8697]
- Configuration data [RFC6241]
- State data [RFC6241]

### 3.1. Tree Diagrams

Simplified graphical representations of the data model are used in this document. The meaning of the symbols in these diagrams is defined in [RFC8340].

### 3.2. Prefixes in Data Node Names

In this document, the names of data nodes and other data model objects are often used without a prefix, as long as it is clear from the context in which YANG module each name is defined. Otherwise, names are prefixed using the standard prefix associated with the corresponding YANG module, as shown in Table 1.

Prefix	YANG module	Reference
yang	ietf-yang-types	[RFC6991]
inet	ietf-inet-types	[RFC6991]
te-types	ietf-te-types	[RFC8776]
key-chain	ietf-key-chain	[RFC8177]
nacm	ietf-netconf-acm	[RFC8341]
tlss	ietf-tls-server	[RFC9645]
tlsc	ietf-tls-client	[RFC9645]
ospf	ietf-ospf	[RFC9129]
isis	ietf-isis	[RFC9130]

Table 1: Prefixes and Corresponding YANG Modules

### 3.3. References in the YANG Data Model

The following table lists the documents that are referenced in the YANG data model defined in this document.

---

Documents	Reference
OSPF Protocol Extensions for Path Computation Element (PCE) Discovery	<a href="#">[RFC5088]</a>
IS-IS Protocol Extensions for Path Computation Element (PCE) Discovery	<a href="#">[RFC5089]</a>
Path Computation Element (PCE) Communication Protocol (PCEP)	<a href="#">[RFC5440]</a>
Preserving Topology Confidentiality in Inter-Domain Path Computation Using a Path-Key-Based Mechanism	<a href="#">[RFC5520]</a>
Encoding of Objective Functions in the Path Computation Element Communication Protocol (PCEP)	<a href="#">[RFC5541]</a>
Path Computation Element Communication Protocol (PCEP) Requirements and Protocol Extensions in Support of Global Concurrent Optimization	<a href="#">[RFC5557]</a>
Common YANG Data Types	<a href="#">[RFC6991]</a>
YANG Data Model for Key Chains	<a href="#">[RFC8177]</a>
Path Computation Element Communication Protocol (PCEP) Extensions for Stateful PCE	<a href="#">[RFC8231]</a>
Optimizations of Label Switched Path State Synchronization Procedures for a Stateful PCE	<a href="#">[RFC8232]</a>
PCEPS: Usage of TLS to Provide a Secure Transport for the Path Computation Element Communication Protocol (PCEP)	<a href="#">[RFC8253]</a>
Path Computation Element Communication Protocol (PCEP) Extensions for PCE-Initiated LSP Setup in a Stateful PCE Model	<a href="#">[RFC8281]</a>
Extensions to the Path Computation Element Communication Protocol (PCEP) for Point-to-Multipoint Traffic Engineering Label Switched Paths	<a href="#">[RFC8306]</a>
Network Configuration Access Control Model	<a href="#">[RFC8341]</a>
Conveying Path Setup Type in PCE Communication Protocol (PCEP) Messages	<a href="#">[RFC8408]</a>
Common YANG Data Types for Traffic Engineering	<a href="#">[RFC8776]</a>
YANG Groupings for TLS Clients and TLS Servers	<a href="#">[RFC9645]</a>
Path Computation Element Communication Protocol (PCEP) Extensions for Segment Routing	<a href="#">[RFC8664]</a>
Path Computation Element Communication Protocol (PCEP) Extensions for Establishing Relationships between Sets of Label Switched Paths (LSPs)	<a href="#">[RFC8697]</a>

---

Documents	Reference
YANG Data Model for the OSPF Protocol	<a href="#">[RFC9129]</a>
YANG Data Model for the IS-IS Protocol	<a href="#">[RFC9130]</a>
Path Computation Element Communication Protocol (PCEP) Extensions for GMPLS	<a href="#">[RFC8779]</a>
"ASSOCIATION Type Field" registry (in the "Path Computation Element Protocol (PCEP) Numbers" registry group)	<a href="#">[IANA-PCEP]</a>
"Path Computation Element (PCE) Capability Flags" registry (in the "Interior Gateway Protocol (IGP) Parameters" registry group)	<a href="#">[IANA-IGP]</a>
Path Computation Element Communication Protocol (PCEP) Extension for Flow Specification	<a href="#">[RFC9168]</a>
Path Computation Element Communication Protocol (PCEP) Extensions for the Hierarchical Path Computation Element (H-PCE) Architecture	<a href="#">[RFC8685]</a>
Hierarchical Stateful Path Computation Element (PCE)	<a href="#">[RFC8751]</a>
IGP Extension for Path Computation Element Communication Protocol (PCEP) Security Capability Support in PCE Discovery (PCED)	<a href="#">[RFC9353]</a>
Stateful Path Computation Element (PCE) Protocol Extensions for Usage with Point-to-Multipoint TE Label Switched Paths (LSPs)	<a href="#">[RFC8623]</a>
The TCP Authentication Option	<a href="#">[RFC5925]</a>
Path Computation Element Communication Protocol (PCEP) Extensions for Associating Working and Protection Label Switched Paths (LSPs) with Stateful PCE	<a href="#">[RFC8745]</a>
Path Computation Element Communication Protocol (PCEP) Extension for Label Switched Path (LSP) Diversity Constraint Signaling	<a href="#">[RFC8800]</a>
Path Computation Element Communication Protocol (PCEP) Extensions for Establishing Relationships between Sets of Label Switched Paths and Virtual Networks	<a href="#">[RFC9358]</a>
Extensions to the Path Computation Element Communication Protocol (PCEP) for Inter-Layer MPLS and GMPLS Traffic Engineering	<a href="#">[RFC8282]</a>
Path Computation Element Communication Protocol (PCEP) Extension for Associating Policies and Label Switched Paths (LSPs)	<a href="#">[RFC9005]</a>

*Table 2: References in the YANG Data Model*

## 4. The Design of PCEP Data Model

The PCEP YANG module defined in this document has all the common building blocks for PCEP, which are listed below and further detailed in the subsequent subsections.

- The local PCEP entity
- The PCEP peer
- The PCEP session
- Notifications
- RPC

```

module: ietf-pcep
  +--rw pcep!
    +--rw entity
      +--rw addr*                inet:ip-address-no-zone
      +--rw enabled?            boolean
      +--rw role                 role
      +--rw description?        string
      +--rw speaker-entity-id?  string {sync-opt}?
      +--rw admin-status?       boolean
      +--ro index?              uint32
      +--ro oper-status?        oper-status
      +--rw domains
        | +--rw domain* [type domain]
        | +---...
      +--rw capabilities
        | +---...
      +--rw auth
        | +---...
      +--rw pce-info
        | +--rw scope
        | | +---...
        | +--rw neighbor-domains
        | | +---...
        | +--rw path-key {path-key}?
        | | +---...
      +---...
      +--ro lsp-db {stateful}?
        | +--ro db-ver?          uint64 {sync-opt}?
        | +--ro association-list*
        | | [type id source global-source extended-id]
        | | {association}?
        | | +---...
        | +--ro lsp* [plsp-id pcc-id lsp-id]
        | | +---...
      +--ro path-keys {path-key}?
        | +--ro path-key* [key]
        | | +---...
      +--rw peers
        +--rw peer* [addr]
        | +---...
        +--ro sessions
  
```



```

        +--ro session* [initiator]
            +---...

rpccs:
  +---x trigger-resync {stateful, sync-opt}?
    +---w input
    +---w pcc    -> /pcep/entity/peers/peer/addr

notifications:
  +---n pcep-session-up
  | +--...
  +---n pcep-session-down
  | +--...
  +---n pcep-session-local-overload
  | +--...
  +---n pcep-session-local-overload-clear
  | +--...
  +---n pcep-session-peer-overload
  | +--...
  +---n pcep-session-peer-overload-clear
  +--...

```

## 4.1. The Entity

The PCEP YANG module may contain status information for the local PCEP entity.

The entity has an IP address (using ietf-inet-types [RFC6991](#)) and a "role" leaf (the local entity PCEP role) as mandatory.

Note that the PCEP MIB module [RFC7420](#) uses an entity list and a system-generated entity index as a primary index to the read-only entity table.

The local PCEP entity contains various information related to this entity such as its domain, capabilities, security parameters, etc. When the local entity is PCE, it could also have path-key and the LSP Database (LSP-DB) information.

Note that the timer names in YANG use hyphens as compared to [RFC5440](#) (for example, DeadTimer in the protocol specification is called dead-timer in YANG).

```

module: ietf-pcep
  +--rw pcep!
    +--rw entity
      +--rw addr*                inet:ip-address-no-zone
      +--rw enabled?             boolean
      +--rw role                  role
      +--rw description?         string
      +--rw speaker-entity-id?   string {sync-opt}?
      +--rw admin-status?        boolean
      +--ro index?               uint32
      +--ro oper-status?         oper-status
      +--rw domains
        | +--rw domain* [type domain]
        |   +--rw type          identityref

```

```

|   +--rw domain      domain
+--rw capabilities
|   +--rw capability?      bits
|   +--rw pce-initiated?   boolean {pce-initiated}?
|   +--rw include-db-ver?  boolean {stateful, sync-opt}?
|   +--rw trigger-resync?  boolean {stateful, sync-opt}?
|   +--rw trigger-initial-sync? boolean {stateful, sync-opt}?
|   +--rw incremental-sync? boolean {stateful, sync-opt}?
|   +--rw sr-mpls {sr-mpls}?
|   |   +--rw enabled?      boolean
|   |   +--rw no-msd-limit? boolean
|   |   +--rw nai?          boolean
|   +--rw stateful-gmpls {stateful, gmpls}?
|   |   +--rw enabled?      boolean
|   +--rw inter-layer?     boolean {inter-layer}?
|   +--rw h-pce {h-pce}?
|   |   +--rw enabled?      boolean
|   |   +--rw stateful?    boolean {stateful}?
|   |   +--rw role?        hpce-role
+--ro msd?                  uint8 {sr-mpls}?
+--rw auth
|   +--rw (auth-type-selection)?
|   |   +--:(auth-key-chain)
|   |   |   +--rw key-chain?
|   |   |   |   key-chain:key-chain-ref
|   |   +--:(auth-key)
|   |   |   +--rw crypto-algorithm      identityref
|   |   |   +--rw (key-string-style)?
|   |   |   |   +--:(keystring)
|   |   |   |   |   +--rw keystring?      string
|   |   |   |   +--:(hexadecimal) {key-chain:hex-key-string}?
|   |   |   |   |   +--rw hexadecimal-string? yang:hex-string
|   |   +--:(auth-tls) {tls}?
|   |   |   +--rw (role)?
|   |   |   |   +--:(server)
|   |   |   |   |   +--rw tls-server
|   |   |   |   |   |   +--rw server-identity
|   |   |   |   |   |   |   +--rw (auth-type)
|   |   |   |   |   |   |   ...
|   |   |   |   |   +--rw client-authentication!
|   |   |   |   |   |   {client-auth-supported}?
|   |   |   |   |   |   +--rw ca-certs! {client-auth-x509-cert}?
|   |   |   |   |   |   |   ...
|   |   |   |   |   |   +--rw ee-certs! {client-auth-x509-cert}?
|   |   |   |   |   |   |   ...
|   |   |   |   |   +--rw raw-public-keys!
|   |   |   |   |   |   {client-auth-raw-public-key}?
|   |   |   |   |   |   ...
|   |   |   |   |   +--rw tls12-psks?      empty
|   |   |   |   |   |   {client-auth-tls12-psk}?
|   |   |   |   |   +--rw tls13-epsks?     empty
|   |   |   |   |   |   {client-auth-tls13-epsk}?
|   |   +--rw hello-params {tlscmn:hello-params}?
|   |   |   +--rw tls-versions
|   |   |   |   ...
|   |   |   +--rw cipher-suites
|   |   |   |   ...
|   |   +--rw keepalives {tls-server-keepalives}?

```

```

|         |         +--rw peer-allowed-to-send?  empty
|         |         +--rw test-peer-aliveness!
|         |         ...
+---:(client)
  +--rw tls-client
    +--rw client-identity!
      | +--rw (auth-type)
      |   ...
    +--rw server-authentication
      | +--rw ca-certs! {server-auth-x509-cert}?
      |   ...
      | +--rw ee-certs! {server-auth-x509-cert}?
      |   ...
      | +--rw raw-public-keys!
      |   | {server-auth-raw-public-key}?
      |   | ...
      | +--rw tls12-psks?          empty
      |   | {server-auth-tls12-psk}?
      | +--rw tls13-epsks?        empty
      |   | {server-auth-tls13-epsk}?
    +--rw hello-params {tlscmn:hello-params}?
      | +--rw tls-versions
      |   ...
      | +--rw cipher-suites
      |   ...
    +--rw keepalives {tls-client-keepalives}?
      +--rw peer-allowed-to-send?  empty
      +--rw test-peer-aliveness!
      ...
+--rw pce-info
  +--rw scope
    | +--rw path-scope?          bits
    | +--rw intra-area-pref?    uint8
    | +--rw inter-area-pref?    uint8
    | +--rw inter-as-pref?      uint8
    | +--rw inter-layer-pref?   uint8
  +--rw neighbor-domains
    | +--rw domain* [type domain]
    |   +--rw type              identityref
    |   +--rw domain            domain
  +--rw path-key {path-key}?
    +--rw enabled?              boolean
    +--rw discard-timer?        uint32
    +--rw reuse-time?           uint32
  +--rw pce-id?                 inet:ip-address-no-zone
+--rw connect-timer?            uint16
+--rw connect-max-retry?        uint32
+--rw init-back-off-timer       uint16
+--rw max-back-off-timer        uint32
+--ro open-wait-timer?          uint16
+--ro keep-wait-timer?          uint16
+--rw keepalive-timer?          uint8
+--rw dead-timer?               uint8
+--rw allow-negotiation?        boolean
+--rw max-keepalive-timer       uint8
+--rw max-dead-timer            uint8
+--rw min-keepalive-timer       uint8
+--rw min-dead-timer            uint8

```

```

+--rw sync-timer?                uint16 {svec}?
+--rw request-timer              uint16
+--rw max-sessions               uint32
+--rw max-unknown-reqs?         uint32
+--rw max-unknown-msgs?        uint32
+--rw pcep-notification-max-rate uint32
+--rw stateful-parameter {stateful}?
| +--rw state-timeout           uint32
| +--rw redelegation-timeout   uint32
| +--rw rpt-non-pcep-lsp?      boolean
+--rw of-list {objective-function}?
| +--rw objective-function* [of]
|   +--rw of identityref
+--ro lsp-db {stateful}?
| +--ro db-ver?                 uint64 {sync-opt}?
| +--ro association-list*
|   [type id source global-source extended-id]
|   {association}?
|   +--ro type                  identityref
|   +--ro id                    uint16
|   +--ro source                inet:ip-address-no-zone
|   +--ro global-source         uint32
|   +--ro extended-id          string
|   +--ro lsp* [plsp-id pcc-id lsp-id]
|     +--ro plsp-id             -> /pcep/entity/lsp-db/lsp/plsp-id
|     +--ro pcc-id              leafref
|     +--ro lsp-id              leafref
+--ro lsp* [plsp-id pcc-id lsp-id]
| +--ro plsp-id                 uint32
| +--ro pcc-id                  inet:ip-address-no-zone
| +--ro source?                 inet:ip-address-no-zone
| +--ro destination?           inet:ip-address-no-zone
| +--ro tunnel-id?              uint16
| +--ro lsp-id                  uint16
| +--ro extended-tunnel-id?     inet:ip-address-no-zone
| +--ro admin-state?           boolean
| +--ro operational-state?      operational-state
| +--ro delegated
| | +--ro enabled?              boolean
| | +--ro peer?                 -> /pcep/entity/peers/peer/addr
| | +--ro srp-id?               uint32
+--ro initiation {pce-initiated}?
| +--ro enabled?                boolean
| +--ro peer?                   -> /pcep/entity/peers/peer/addr
+--ro symbolic-path-name?      string
+--ro last-error?              identityref
+--ro pst?                      identityref
+--ro association-list*
|   [type id source global-source extended-id]
|   {association}?
|   +--ro type
|     | -> /pcep/entity/lsp-db/association-list/type
|   +--ro id                    leafref
|   +--ro source                leafref
|   +--ro global-source         leafref
|   +--ro extended-id          leafref
+--ro path-keys {path-key}?
| +--ro path-key* [key]

```

```

+--ro key                uint16
+--ro cps
  +--ro explicit-route-objects* [index]
    +--ro index          uint32
    +--ro (type)?
      +--:(numbered-node-hop)
        +--ro numbered-node-hop
          +--ro node-id    te-node-id
          +--ro hop-type?  te-hop-type
      +--:(numbered-link-hop)
        +--ro numbered-link-hop
          +--ro link-tp-id  te-tp-id
          +--ro hop-type?  te-hop-type
          +--ro direction? te-link-direction
      +--:(unnumbered-link-hop)
        +--ro unnumbered-link-hop
          +--ro link-tp-id  te-tp-id
          +--ro node-id    te-node-id
          +--ro hop-type?  te-hop-type
          +--ro direction? te-link-direction
      +--:(as-number)
        +--ro as-number-hop
          +--ro as-number  inet:as-number
          +--ro hop-type?  te-hop-type
      +--:(label)
        +--ro label-hop
        +--ro te-label
    ...
+--ro pcc-requester?    -> /pcep/entity/peers/peer/addr
+--ro req-id?           uint32
+--ro retrieved?       boolean
+--ro pcc-retrieved?   -> /pcep/entity/peers/peer/addr
+--ro creation-time?   yang:timestamp
+--ro discard-time?    uint32
+--ro reuse-time?      uint32
+--rw peers
  +--rw peer* [addr]
  +--...

```

#### 4.1.1. The Peer List

The peer list contains peer(s) that the local PCEP entity knows about. A PCEP speaker is identified by its IP address. If there is a PCEP speaker in the network that uses multiple IP addresses, then it looks like multiple distinct peers to the other PCEP speakers in the network.

Since PCEP sessions can be ephemeral, the peer list tracks a peer even when no PCEP session currently exists for that peer. The statistics contained are an aggregate of the statistics for all successive sessions with that peer.

To limit the quantity of information that is stored, an implementation **MAY** choose to discard this information if and only if no PCEP session exists for the corresponding peer.

The data model for PCEP peers presented in this document uses a flat list of peers. Each peer in the list is identified by its IP address.

This peer list includes peers that are explicitly configured at the local PCEP entity as well as peers that are learned dynamically. For example, at a PCC, the remote PCE peer to use could be explicitly configured. A PCC could also learn a PCE address in the network via the IGP discovery, and it will show up in this list. When a session is initiated at a PCE, the remote PCC peer information is also added by the system to the peer list.

```

module: ietf-pcep
  +--rw pcep!
    +--rw entity
      +--...
      +--rw peers
        +--rw peer* [addr]
          +--rw addr                inet:ip-address-no-zone
          +--rw role                 role
          +--rw description?         string
          +--rw domains
            | +--rw domain* [type domain]
            |   +--rw type          identityref
            |   +--rw domain        domain
          +--rw capabilities
            | +--rw capability?      bits
            | +--rw pce-initiated?   boolean
            | | {pce-initiated}?
            | +--rw include-db-ver?   boolean
            | | {stateful, sync-opt}?
            | +--rw trigger-resync?   boolean
            | | {stateful, sync-opt}?
            | +--rw trigger-initial-sync? boolean
            | | {stateful, sync-opt}?
            | +--rw incremental-sync? boolean
            | | {stateful, sync-opt}?
            | +--rw sr-mpls {sr-mpls}?
            | | +--rw enabled?        boolean
            | | +--rw no-msd-limit?   boolean
            | | +--rw nai?            boolean
            | +--rw stateful-gmpls {stateful, gmpls}?
            | | +--rw enabled?        boolean
            | +--rw inter-layer?      boolean {inter-layer}?
            | +--rw h-pce {h-pce}?
            | | +--rw enabled?        boolean
            | | +--rw stateful?       boolean {stateful}?
            | | +--rw role?           hpce-role
          +--ro msd?                  uint8 {sr-mpls}?
        +--rw pce-info
          | +--rw scope
          | | +--rw path-scope?       bits
          | | +--rw intra-area-pref?  uint8
          | | +--rw inter-area-pref?  uint8
          | | +--rw inter-as-pref?    uint8
          | | +--rw inter-layer-pref? uint8
          | +--rw neighbor-domains
          | | +--rw domain* [type domain]
          | |   +--rw type          identityref
          | |   +--rw domain        domain
          +--rw delegation-pref       uint8 {stateful}?
          +--rw auth

```

```

|   +--rw (auth-type-selection)?
|   |   +--:(auth-key-chain)
|   |   |   +--rw key-chain?
|   |   |   |   key-chain:key-chain-ref
|   |   +--:(auth-key)
|   |   |   +--rw crypto-algorithm          identityref
|   |   |   +--rw (key-string-style)?
|   |   |   |   +--:(keystring)
|   |   |   |   |   +--rw keystring?          string
|   |   |   |   +--:(hexadecimal)
|   |   |   |   |   {key-chain:hex-key-string}?
|   |   |   |   |   +--rw hexadecimal-string?
|   |   |   |   |   |   yang:hex-string
|   |   +--:(auth-tls) {tls}?
|   |   |   +--rw (role)?
|   |   |   |   +--:(server)
|   |   |   |   |   +--rw tls-server
|   |   |   |   |   |   ...
|   |   |   |   +--:(client)
|   |   |   |   |   +--rw tls-client
|   |   |   |   |   |   ...
|   +--ro discontinuity-time?          yang:timestamp
|   +--ro initiate-session?            boolean
|   +--ro session-exists?              boolean
|   +--ro session-up-time?              yang:timestamp
|   +--ro session-fail-time?           yang:timestamp
|   +--ro session-fail-up-time?        yang:timestamp
|   +--ro sessions
|   |   +--ro session* [initiator]
|   |   |   +--...

```

#### 4.1.1.1. The Session List

The session list contains PCEP sessions that the PCEP entity (PCE or PCC) is currently participating in. The statistics in session are semantically different from those in peer since the former applies to the current session only, whereas the latter is the aggregate for all sessions that have existed to that peer.

Although [\[RFC5440\]](#) forbids more than one active PCEP session between a given pair of PCEP entities at any given time, there is a window during the session establishment where two sessions may exist for a given pair, one representing a session initiated by the local PCEP entity and the other representing a session initiated by the peer. When one of these sessions reaches the active state, then the other is discarded.

The data model for the PCEP session presented in this document uses a flat list of sessions. Each session in the list is identified by its initiator. This index allows two sessions to exist transiently for a given peer, as discussed above.

```

module: ietf-pcep
  +--rw pcep!
    +--rw entity
      +--...
      +--rw peers
        +--rw peer* [addr]
          +--...
          +--ro sessions
            +--ro session* [initiator]
              +--ro initiator                initiator
              +--ro role?
              |   -> ../../../../role
              +--ro state-last-change?      yang:timestamp
              +--ro state?                  sess-state
              +--ro session-creation?      yang:timestamp
              +--ro connect-retry?         yang:counter32
              +--ro local-id?              uint8
              +--ro remote-id?             uint8
              +--ro keepalive-timer?       uint8
              +--ro peer-keepalive-timer?  uint8
              +--ro dead-timer?            uint8
              +--ro peer-dead-timer?       uint8
              +--ro ka-hold-time-rem?      uint8
              +--ro overloaded?            boolean
              +--ro overloaded-timestamp?  yang:timestamp
              +--ro overload-time?         uint32
              +--ro peer-overloaded?       boolean
              +--ro peer-overloaded-timestamp? yang:timestamp
              +--ro peer-overload-time?    uint32
              +--ro lspdb-sync?           sync-state
              |   {stateful}?
              +--ro recv-db-ver?          uint64
              |   {stateful, sync-opt}?
              +--ro of-list {objective-function}?
              |   +--ro objective-function* [of]
              |   +--ro of identityref
              +--ro pst-list
              |   +--ro path-setup-type* [pst]
              |   +--ro pst identityref
              +--ro assoc-type-list {association}?
              |   +--ro assoc-type* [at]
              |   +--ro at identityref
              +--ro speaker-entity-id?    string
              {sync-opt}?

```

## 4.2. Notifications

This YANG data model defines a list of notifications to inform clients of important events detected during the protocol operation. The notifications defined cover the PCEP MIB [RFC7420] notifications.



```

notifications:
+---n pcep-session-up
| +--ro peer-addr?          -> /pcep/entity/peers/peer/addr
| +--ro session-initiator? leafref
| +--ro state-last-change? yang:timestamp
| +--ro state?             sess-state
+---n pcep-session-down
| +--ro peer-addr?          -> /pcep/entity/peers/peer/addr
| +--ro session-initiator? initiator
| +--ro state-last-change? yang:timestamp
| +--ro state?             sess-state
+---n pcep-session-local-overload
| +--ro peer-addr?          -> /pcep/entity/peers/peer/addr
| +--ro session-initiator? leafref
| +--ro overloaded?         boolean
| +--ro overloaded-timestamp? yang:timestamp
| +--ro overload-time?      uint32
+---n pcep-session-local-overload-clear
| +--ro peer-addr?
| | -> /pcep/entity/peers/peer/addr
| +--ro overloaded?         boolean
| +--ro overloaded-clear-timestamp? yang:timestamp
+---n pcep-session-peer-overload
| +--ro peer-addr?
| | -> /pcep/entity/peers/peer/addr
| +--ro session-initiator? leafref
| +--ro peer-overloaded?    boolean
| +--ro peer-overloaded-timestamp? yang:timestamp
| +--ro peer-overload-time? uint32
+---n pcep-session-peer-overload-clear
+--ro peer-addr?
| -> /pcep/entity/peers/peer/addr
+--ro peer-overloaded?      boolean
+--ro peer-overloaded-clear-timestamp? yang:timestamp

```

### 4.3. RPC

This YANG data model defines an RPC to trigger state resynchronization at the PCE for a sanity check with a particular PCC.

```

rpcs:
+---x trigger-resync {stateful, sync-opt}?
+---w input
+---w pcc -> /pcep/entity/peers/peer/addr

```

## 5. The Design of PCEP Statistics Data Model

The "ietf-pcep-stats" module augments the "ietf-pcep" module to include statistics at the PCEP peer and session level. It also includes an RPC to reset all PCEP statistics across all peers and sessions through mechanisms such as walking a list of pointers to those peer and session statistics.

If this mechanism is not supported, implementations must reset PCEP statistics by invoking the action 'reset-statistics' for each peer and session.

```

module: ietf-pcep-stats

augment /pcep:pcep/pcep:entity/pcep:peers/pcep:peer:
  +--ro stats
    +--ro discontinuity-time?   yang:timestamp
    +--ro pce
      | +--ro rsp-time-avg?      uint32
      | +--ro rsp-time-lwm?     uint32
      | +--ro rsp-time-hwm?     uint32
      | +--ro pcreq-sent?       yang:counter32
      | +--ro pcreq-rcvd?       yang:counter32
      | +--ro pcrep-sent?       yang:counter32
      | +--ro pcrep-rcvd?       yang:counter32
      | +--ro req-sent?         yang:counter32
      | +--ro req-sent-pend-rep? yang:counter32
      | +--ro req-sent-ero-rcvd? yang:counter32
      | +--ro req-sent-nopath-rcvd? yang:counter32
      | +--ro req-sent-cancel-rcvd? yang:counter32
      | +--ro req-sent-error-rcvd? yang:counter32
      | +--ro req-sent-timeout?  yang:counter32
      | +--ro req-sent-cancel-sent? yang:counter32
      | +--ro rep-rcvd-unknown?  yang:counter32
    +--ro pcerr-sent?           yang:counter32
    +--ro pcerr-rcvd?           yang:counter32
    +--ro pcntf-sent?           yang:counter32
    +--ro pcntf-rcvd?           yang:counter32
    +--ro keepalive-sent?       yang:counter32
    +--ro keepalive-rcvd?       yang:counter32
    +--ro unknown-rcvd?         yang:counter32
    +--ro corrupt-rcvd?         yang:counter32
    +--ro pcc
      | +--ro req-rcvd?          yang:counter32
      | +--ro req-rcvd-pend-rep? yang:counter32
      | +--ro req-rcvd-ero-sent? yang:counter32
      | +--ro req-rcvd-nopath-sent? yang:counter32
      | +--ro req-rcvd-cancel-sent? yang:counter32
      | +--ro req-rcvd-error-sent? yang:counter32
      | +--ro req-rcvd-cancel-rcvd? yang:counter32
      | +--ro req-rcvd-unknown?  yang:counter32
    +--ro svec {pcep:svec}?
      | +--ro pce
      | | +--ro svec-sent?        yang:counter32
      | | +--ro svec-req-sent?    yang:counter32
      | +--ro pcc
      | | +--ro svec-rcvd?        yang:counter32
      | | +--ro svec-req-rcvd?    yang:counter32
    +--ro stateful {pcep:stateful}?
      | +--ro pce
      | | +--ro pcrpt-sent?       yang:counter32
      | | +--ro pcupd-rcvd?       yang:counter32
      | | +--ro rpt-sent?         yang:counter32
      | | +--ro upd-rcvd?         yang:counter32
      | | +--ro upd-rcvd-unknown? yang:counter32
      | | +--ro upd-rcvd-undelegated? yang:counter32

```

```

| | +--ro upd-rcvd-error-sent? yang:counter32
| +--ro pcc
| | +--ro pcrpt-rcvd? yang:counter32
| | +--ro pcupd-sent? yang:counter32
| | +--ro rpt-rcvd? yang:counter32
| | +--ro rpt-rcvd-error-sent? yang:counter32
| | +--ro upd-sent? yang:counter32
+--ro initiation {pcep:pce-initiated}?
  +--ro pcc
  | +--ro pcinitiate-sent? yang:counter32
  | +--ro initiate-sent? yang:counter32
  +--ro pce
  | +--ro pcinitiate-rcvd? yang:counter32
  | +--ro initiate-rcvd? yang:counter32
  | +--ro initiate-rcvd-error-sent? yang:counter32
+--ro path-key {pcep:path-key}?
  +--ro unknown-path-key? yang:counter32
  +--ro exp-path-key? yang:counter32
  +--ro dup-path-key? yang:counter32
  +--ro path-key-no-attempt? yang:counter32
+---x reset-statistics
  +---w input
  | +---w reset-at? yang:date-and-time
  +--ro output
  | +--ro reset-finished-at? yang:date-and-time
+--ro sess-setup-ok? yang:counter32
+--ro sess-setup-fail? yang:counter32
+--ro req-sent-closed? yang:counter32
+--ro req-rcvd-closed? yang:counter32
augment /pcep:pcep/pcep:entity/pcep:peers/pcep:peer/pcep:sessions
/pcep:session:
+--ro stats
+--ro discontinuity-time? yang:timestamp
+--ro pce
| +--ro rsp-time-avg? uint32
| +--ro rsp-time-lwm? uint32
| +--ro rsp-time-hwm? uint32
| +--ro pcreq-sent? yang:counter32
| +--ro pcreq-rcvd? yang:counter32
| +--ro pcrep-sent? yang:counter32
| +--ro pcrep-rcvd? yang:counter32
| +--ro req-sent? yang:counter32
| +--ro req-sent-pend-rep? yang:counter32
| +--ro req-sent-ero-rcvd? yang:counter32
| +--ro req-sent-nopath-rcvd? yang:counter32
| +--ro req-sent-cancel-rcvd? yang:counter32
| +--ro req-sent-error-rcvd? yang:counter32
| +--ro req-sent-timeout? yang:counter32
| +--ro req-sent-cancel-sent? yang:counter32
| +--ro rep-rcvd-unknown? yang:counter32
+--ro pcerr-sent? yang:counter32
+--ro pcerr-rcvd? yang:counter32
+--ro pcntf-sent? yang:counter32
+--ro pcntf-rcvd? yang:counter32
+--ro keepalive-sent? yang:counter32
+--ro keepalive-rcvd? yang:counter32
+--ro unknown-rcvd? yang:counter32
+--ro corrupt-rcvd? yang:counter32

```

```

+--ro pcc
| +--ro req-rcvd?          yang:counter32
| +--ro req-rcvd-pend-rep? yang:counter32
| +--ro req-rcvd-ero-sent? yang:counter32
| +--ro req-rcvd-nopath-sent? yang:counter32
| +--ro req-rcvd-cancel-sent? yang:counter32
| +--ro req-rcvd-error-sent? yang:counter32
| +--ro req-rcvd-cancel-rcvd? yang:counter32
| +--ro req-rcvd-unknown?    yang:counter32
+--ro svec {pcep:svec}?
| +--ro pce
| | +--ro svec-sent?      yang:counter32
| | +--ro svec-req-sent? yang:counter32
| +--ro pcc
| | +--ro svec-rcvd?      yang:counter32
| | +--ro svec-req-rcvd? yang:counter32
+--ro stateful {pcep:stateful}?
| +--ro pce
| | +--ro pcrpt-sent?    yang:counter32
| | +--ro pcupd-rcvd?    yang:counter32
| | +--ro rpt-sent?      yang:counter32
| | +--ro upd-rcvd?      yang:counter32
| | +--ro upd-rcvd-unknown? yang:counter32
| | +--ro upd-rcvd-undelegated? yang:counter32
| | +--ro upd-rcvd-error-sent? yang:counter32
| +--ro pcc
| | +--ro pcrpt-rcvd?    yang:counter32
| | +--ro pcupd-sent?    yang:counter32
| | +--ro rpt-rcvd?      yang:counter32
| | +--ro rpt-rcvd-error-sent? yang:counter32
| | +--ro upd-sent?      yang:counter32
| +--ro initiation {pcep:pce-initiated}?
| | +--ro pcc
| | | +--ro pcinitiate-sent? yang:counter32
| | | +--ro initiate-sent?   yang:counter32
| | +--ro pce
| | | +--ro pcinitiate-rcvd? yang:counter32
| | | +--ro initiate-rcvd?   yang:counter32
| | | +--ro initiate-rcvd-error-sent? yang:counter32
+--ro path-key {pcep:path-key}?
| +--ro unknown-path-key? yang:counter32
| +--ro exp-path-key?     yang:counter32
| +--ro dup-path-key?     yang:counter32
| +--ro path-key-no-attempt? yang:counter32
+---x reset-statistics
+---w input
| +---w reset-at? yang:date-and-time
+--ro output
+---ro reset-finished-at? yang:date-and-time

rpcs:
+---x reset-pcep-statistics-all {reset-all}?

```

## 6. Advanced PCE Features

This document contains a specification of the base PCEP YANG module, "ietf-pcep", which provides the basic PCEP [RFC5440] data model.

This document further handles advanced PCE features such as:

- Capability and scope
- Domain information (local/neighbor)
- Path-key
- Objective Function (OF)
- Global Concurrent Optimization (GCO)
- Point-to-Multipoint (P2MP)
- GMPLS
- Inter-layer
- Stateful PCE
- Segment Routing (SR) for the MPLS data plane
- Authentication including PCEPS (TLS)
- Hierarchical PCE (H-PCE)

Segment Routing in the IPv6 data plane is out of the scope of this document. Refer to [YANG-PCEP-SRV6] for the PCEP-SRv6 YANG module.

### 6.1. Stateful PCE's LSP-DB

In the operational datastore of stateful PCE, the list of LSP state is maintained in the LSP-DB. The key is the PLSP-ID, the PCC's IP address, and the LSP-ID.

The PCEP data model contains the operational state of LSPs (/pcep/entity/lsp-db/lsp/) with PCEP-specific attributes. The generic TE attributes of the LSP are defined in [YANG-TE]. A reference to the LSP state in the TE model is maintained.

## 7. Other Considerations

### 7.1. PCEP over TLS (PCEPS)

[RFC8253] describes the use of TLS 1.2 [RFC5246] or later in PCEP. Further, [PCEPS-UPDATE] specifies how to protect PCEP messages with TLS 1.3 [RFC8446] by disallowing the use of early data (0-RTT) and listing the cipher suites that need to be supported with TLS 1.3.

The PCC acting as the TLS client opens the TLS connection, and the PCE acting as the TLS server listens for incoming connections as per the TLS specifications ([RFC8446] and [RFC5246]). [RFC8253] specifies the StartTLS procedure in PCEP that initiates the TLS connection before exchanging PCEP messages; thus, the identity verification is completed before the PCEP session is established.

Note that a PCEP speaker could act as both a client (PCC) and a server (PCE). The role within the context of a PCEP session is determined by the relationship it has with its peer (the same is true for TLS as well).

The YANG module uses the TLS grouping in [RFC9645]. Note that any TLS version can be configured, but [RFC9645] recommends the use of TLS 1.3 only. At the time of publication of this document, TLS 1.2 is still in common use for PCEP and can still be enabled with the feature "tls12" even though it is marked with status as "deprecated".

## 8. PCEP YANG Modules

### 8.1. ietf-pcep Module

```
<CODE BEGINS> file "ietf-pcep@2025-09-12.yang"

module ietf-pcep {
  yang-version 1.1;
  namespace "urn:ietf:params:xml:ns:yang:ietf-pcep";
  prefix pcep;

  import ietf-inet-types {
    prefix inet;
    reference
      "RFC 6991: Common YANG Data Types";
  }
  import ietf-yang-types {
    prefix yang;
    reference
      "RFC 6991: Common YANG Data Types";
  }
  import ietf-te-types {
    prefix te-types;
    reference
      "RFC 8776: Common YANG Data Types for Traffic Engineering";
  }
  import ietf-key-chain {
    prefix key-chain;
    reference
      "RFC 8177: YANG Data Model for Key Chains";
  }
  import ietf-netconf-acm {
    prefix nacm;
    reference
      "RFC 8341: Network Configuration Access Control Model";
  }
  import ietf-tls-server {
```

```
    prefix tlss;
    reference
      "RFC 9645: YANG Groupings for TLS Clients and TLS Servers";
  }
import ietf-tls-client {
  prefix tlsc;
  reference
    "RFC 9645: YANG Groupings for TLS Clients and TLS Servers";
}
import ietf-ospf {
  prefix ospf;
  reference
    "RFC 9129: YANG Data Model for the OSPF Protocol";
}
import ietf-isis {
  prefix isis;
  reference
    "RFC 9130: YANG Data Model for the IS-IS Protocol";
}

organization
  "IETF PCE (Path Computation Element) Working Group";
contact
  "WG Web: <https://datatracker.ietf.org/wg/pce/>
  WG List: <mailto:pce@ietf.org>
  Editor: Dhruv Dhody
         <mailto:dhruv.ietf@gmail.com>";
description
  "The YANG module defines a generic configuration and
  operational model for the Path Computation Element
  Communication Protocol (PCEP).

  The key words 'MUST', 'MUST NOT', 'REQUIRED', 'SHALL', 'SHALL
  NOT', 'SHOULD', 'SHOULD NOT', 'RECOMMENDED', 'NOT RECOMMENDED',
  'MAY', and 'OPTIONAL' in this document are to be interpreted as
  described in BCP 14 (RFC 2119) (RFC 8174) when, and only when,
  they appear in all capitals, as shown here.

  Copyright (c) 2025 IETF Trust and the persons identified as
  authors of the code. All rights reserved.

  Redistribution and use in source and binary forms, with or
  without modification, is permitted pursuant to, and subject to
  the license terms contained in, the Revised BSD License set
  forth in Section 4.c of the IETF Trust's Legal Provisions
  Relating to IETF Documents
  (https://trustee.ietf.org/license-info).

  This version of this YANG module is part of RFC 9826; see the
  RFC itself for full legal notices.";

revision 2025-09-12 {
  description
    "Initial revision.";
  reference
    "RFC 9826: A YANG Data Model for the Path Computation
    Element Communication Protocol (PCEP)";
}
```

```
/*
 * Typedefs
 */

typedef role {
  type enumeration {
    enum unknown {
      value 0;
      description
        "An unknown role.";
    }
    enum pcc {
      value 1;
      description
        "The role of a Path Computation Client (PCC).";
    }
    enum pce {
      value 2;
      description
        "The role of a Path Computation Element (PCE).";
    }
    enum pcc-and-pce {
      value 3;
      description
        "The role of both Path Computation Client (PCC) and
        Path Computation Element (PCE).";
    }
  }
  description
    "The role of a PCEP speaker.
    Takes one of the following values:
    - unknown(0): the role is not known,
    - pcc(1): the role is of a Path Computation
      Client (PCC),
    - pce(2): the role is of a Path Computation
      Element (PCE),
    - pcc-and-pce(3): the role is of both a PCC and
      a PCE.";
  reference
    "RFC 5440: Path Computation Element (PCE) Communication
    Protocol (PCEP)";
}

typedef oper-status {
  type enumeration {
    enum oper-status-up {
      value 1;
      description
        "The PCEP entity is active.";
    }
    enum oper-status-down {
      value 2;
      description
        "The PCEP entity is inactive.";
    }
    enum oper-status-going-up {
      value 3;
    }
  }
}
```



```

        description
            "The PCEP entity is activating.";
    }
    enum oper-status-going-down {
        value 4;
        description
            "The PCEP entity is deactivating.";
    }
    enum oper-status-failed {
        value 5;
        description
            "The PCEP entity has failed and will recover
            when possible.";
    }
    enum oper-status-failed-perm {
        value 6;
        description
            "The PCEP entity has failed and will not recover
            without operator intervention.";
    }
}
description
    "The operational status of the PCEP entity.
    Takes one of the following values:
    - oper-status-up(1): Active,
    - oper-status-down(2): Inactive,
    - oper-status-going-up(3): Activating,
    - oper-status-going-down(4): Deactivating,
    - oper-status-failed(5): Failed,
    - oper-status-failed-perm(6): Failed Permanently.";
reference
    "RFC 5440: Path Computation Element (PCE) Communication
    Protocol (PCEP)";
}

typedef initiator {
    type enumeration {
        enum local {
            value 1;
            description
                "The local PCEP entity initiated the session.";
        }
        enum remote {
            value 2;
            description
                "The remote PCEP peer initiated the session.";
        }
    }
}
description
    "The initiator of the session, that is, whether the TCP
    connection was initiated by the local PCEP entity or
    the remote peer.
    Takes one of the following values:
    - local(1): Initiated locally,
    - remote(2): Initiated remotely.";
}

typedef sess-state {

```

```
type enumeration {
  enum tcp-pending {
    value 1;
    description
      "The TCPPending state of PCEP session.";
  }
  enum open-wait {
    value 2;
    description
      "The OpenWait state of PCEP session.";
  }
  enum keep-wait {
    value 3;
    description
      "The KeepWait state of PCEP session.";
  }
  enum session-up {
    value 4;
    description
      "The SessionUP state of PCEP session.";
  }
}
description
  "The current state of the session.
  The set of possible states excludes the idle state
  since entries do not exist in the idle state.
  Takes one of the following values:
  - tcp-pending(1): PCEP TCPPending state,
  - open-wait(2): PCEP OpenWait state,
  - keep-wait(3): PCEP KeepWait state,
  - session-up(4): PCEP SessionUP state.";
reference
  "RFC 5440: Path Computation Element (PCE) Communication
  Protocol (PCEP)";
}

typedef domain {
  type union {
    type ospf:area-id-type;
    type isis:area-address;
    type inet:as-number;
  }
  description
    "The domain information.";
}

typedef operational-state {
  type enumeration {
    enum down {
      value 0;
      description
        "Not active.";
    }
    enum up {
      value 1;
      description
        "Signaled.";
    }
  }
}
```

```
enum active {
  value 2;
  description
    "Up and carrying traffic.";
}
enum going-down {
  value 3;
  description
    "LSP is being torn down; resources are
    being released.";
}
enum going-up {
  value 4;
  description
    "LSP is being signaled.";
}
}
description
  "The operational status of the LSP.";
reference
  "RFC 8231: Path Computation Element Communication Protocol
  (PCEP) Extensions for Stateful PCE";
}

typedef sync-state {
  type enumeration {
    enum pending {
      value 0;
      description
        "The state synchronization
        has not started.";
    }
    enum ongoing {
      value 1;
      description
        "The state synchronization
        is ongoing.";
    }
    enum finished {
      value 2;
      description
        "The state synchronization
        is finished.";
    }
  }
}
description
  "The LSP-DB state synchronization operational
  status.";
reference
  "RFC 8231: Path Computation Element Communication Protocol
  (PCEP) Extensions for Stateful PCE";
}

typedef hpce-role {
  type enumeration {
    enum unknown {
      value 0;
      description
```

```
        "An unknown role.";
    }
    enum child {
        value 1;
        description
            "The PCE is acting as child PCE.";
    }
    enum parent {
        value 2;
        description
            "The PCE is acting as parent PCE.";
    }
}
description
    "The H-PCE role of the PCE.";
reference
    "RFC 8685: Path Computation Element Communication Protocol
    (PCEP) Extensions for the Hierarchical Path Computation
    Element (H-PCE) Architecture";
}

/*
 * Features
 */

feature svec {
    description
        "Support synchronized path computation.";
    reference
        "RFC 5440: Path Computation Element (PCE) Communication
        Protocol (PCEP)";
}

feature gmpls {
    description
        "Support GMPLS.";
    reference
        "RFC 8779: Path Computation Element Communication Protocol
        (PCEP) Extensions for GMPLS";
}

feature objective-function {
    description
        "Support OF as per RFC 5541.";
    reference
        "RFC 5541: Encoding of Objective Functions in the Path
        Computation Element Communication Protocol (PCEP)";
}

feature global-concurrent {
    description
        "Support Global Concurrent Optimization (GCO) as per RFC
        5557.";
    reference
        "RFC 5557: Path Computation Element Communication Protocol
        (PCEP) Requirements and Protocol Extensions in Support of
        Global Concurrent Optimization";
}
```

```
feature path-key {
  description
    "Support path-key as per RFC 5520.";
  reference
    "RFC 5520: Preserving Topology Confidentiality in Inter-
    Domain Path Computation Using a Path-Key-Based Mechanism";
}

feature p2mp {
  description
    "Support Point-to-Multipoint (P2MP) as per RFC 8306.";
  reference
    "RFC 8306: Extensions to the Path Computation Element
    Communication Protocol (PCEP) for Point-to-Multipoint
    Traffic Engineering Label Switched Paths";
}

feature stateful {
  description
    "Support stateful PCE as per RFC 8231.";
  reference
    "RFC 8231: Path Computation Element Communication Protocol
    (PCEP) Extensions for Stateful PCE";
}

feature sync-opt {
  description
    "Support stateful state synchronization optimization
    as per RFC 8232.";
  reference
    "RFC 8232: Optimizations of Label Switched Path State
    Synchronization Procedures for a Stateful PCE";
}

feature pce-initiated {
  description
    "Support PCE-initiated LSP as per
    RFC 8281.";
  reference
    "RFC 8281: Path Computation Element Communication Protocol
    (PCEP) Extensions for PCE-Initiated LSP Setup in a Stateful
    PCE Model";
}

feature tls {
  description
    "Support PCEP over TLS as per RFC 8253.";
  reference
    "RFC 8253: PCEPS: Usage of TLS to Provide a Secure Transport
    for the Path Computation Element Communication Protocol
    (PCEP)";
}

feature sr-mpls {
  description
    "Support Segment Routing (SR) for MPLS in PCEP.";
  reference
```

```
    "RFC 8664: Path Computation Element Communication Protocol
    (PCEP) Extensions for Segment Routing";
  }

  feature association {
    description
      "Support Association in PCEP.";
    reference
      "RFC 8697: Path Computation Element Communication Protocol
      (PCEP) Extensions for Establishing Relationships between
      Sets of Label Switched Paths (LSPs)";
  }

  feature flowspec {
    description
      "Support Flow Specification in PCEP.";
    reference
      "RFC 9168: Path Computation Element Communication Protocol
      (PCEP) Extension for Flow Specification";
  }

  feature h-pce {
    description
      "Support Hierarchical PCE (H-PCE).";
    reference
      "RFC 8685: Path Computation Element Communication
      Protocol (PCEP) Extensions for the Hierarchical Path
      Computation Element (H-PCE) Architecture";
  }

  feature inter-layer {
    description
      "Support inter-layer path computation.";
    reference
      "RFC 8282: Extensions to the Path Computation
      Element Communication Protocol (PCEP) for Inter-
      Layer MPLS and GMPLS Traffic Engineering";
  }

  /*
  * Identities
  */

  identity domain-type {
    description
      "Base domain type for PCE.";
  }

  identity ospf-area {
    base domain-type;
    description
      "The OSPF area.";
  }

  identity isis-area {
    base domain-type;
    description
      "The IS-IS area.";
```

```
}

identity autonomous-system {
  base domain-type;
  description
    "The Autonomous System (AS).";
}

identity lsp-error {
  if-feature "stateful";
  description
    "Base LSP error.";
  reference
    "RFC 8231: Path Computation Element Communication Protocol
    (PCEP) Extensions for Stateful PCE";
}

identity no-error-lsp-error {
  if-feature "stateful";
  base lsp-error;
  description
    "No error; LSP is fine.";
  reference
    "RFC 8231: Path Computation Element Communication Protocol
    (PCEP) Extensions for Stateful PCE";
}

identity unknown-lsp-error {
  if-feature "stateful";
  base lsp-error;
  description
    "Unknown reason. LSP Error Code value = 1.";
  reference
    "RFC 8231: Path Computation Element Communication Protocol
    (PCEP) Extensions for Stateful PCE";
}

identity limit-lsp-error {
  if-feature "stateful";
  base lsp-error;
  description
    "Limit reached for PCE-controlled LSPs. LSP Error Code
    value = 2.";
  reference
    "RFC 8231: Path Computation Element Communication Protocol
    (PCEP) Extensions for Stateful PCE";
}

identity pending-lsp-error {
  if-feature "stateful";
  base lsp-error;
  description
    "Too many pending LSP update requests. LSP Error Code
    value = 3.";
  reference
    "RFC 8231: Path Computation Element Communication Protocol
    (PCEP) Extensions for Stateful PCE";
}
```

```
identity unacceptable-lsp-error {
  if-feature "stateful";
  base lsp-error;
  description
    "Unacceptable parameters. LSP Error Code value = 4.";
  reference
    "RFC 8231: Path Computation Element Communication Protocol
    (PCEP) Extensions for Stateful PCE";
}

identity internal-lsp-error {
  if-feature "stateful";
  base lsp-error;
  description
    "Internal error. LSP Error Code value = 5.";
  reference
    "RFC 8231: Path Computation Element Communication Protocol
    (PCEP) Extensions for Stateful PCE";
}

identity admin-lsp-error {
  if-feature "stateful";
  base lsp-error;
  description
    "LSP administratively brought down. LSP Error Code value
    = 6.";
  reference
    "RFC 8231: Path Computation Element Communication Protocol
    (PCEP) Extensions for Stateful PCE";
}

identity preempted-lsp-error {
  if-feature "stateful";
  base lsp-error;
  description
    "LSP preempted. LSP Error Code value = 7.";
  reference
    "RFC 8231: Path Computation Element Communication Protocol
    (PCEP) Extensions for Stateful PCE";
}

identity rsvp-lsp-error {
  if-feature "stateful";
  base lsp-error;
  description
    "RSVP signaling error. LSP Error Code value = 8.";
  reference
    "RFC 8231: Path Computation Element Communication Protocol
    (PCEP) Extensions for Stateful PCE";
}

identity path-protection {
  base te-types:association-type;
  description
    "Path Protection Association.";
  reference
    "RFC 8745: Path Computation Element Communication Protocol
```



```
    (PCEP) Extensions for Associating Working and Protection
    Label Switched Paths (LSPs) with Stateful PCE";
}

identity disjoint {
  base te-types:association-type;
  description
    "Disjoint Association.";
  reference
    "RFC 8800: Path Computation Element Communication Protocol
    (PCEP) Extension for Label Switched Path (LSP) Diversity
    Constraint Signaling";
}

identity policy {
  base te-types:association-type;
  description
    "Policy Association.";
  reference
    "RFC 9005: Path Computation Element Communication Protocol
    (PCEP) Extension for Associating Policies and Label Switched
    Paths (LSPs)";
}

identity virtual-network {
  base te-types:association-type;
  description
    "Virtual Network (VN) Association.";
  reference
    "RFC 9358: Path Computation Element Communication Protocol
    (PCEP) Extensions for Establishing Relationships between
    Sets of Label Switched Paths and Virtual Networks";
}

/*
 * Groupings
 */

grouping domain {
  description
    "This grouping specifies a domain where the
    PCEP speaker has topology visibility.";
  leaf type {
    type identityref {
      base domain-type;
    }
    description
      "The domain type.";
  }
  leaf domain {
    type domain;
    description
      "The domain information.";
  }
}

grouping domain-info {
  description
```

```

    "This grouping specifies all information that
    may be relevant to both PCC and PCE.
    This information corresponds to PCE auto-discovery
    information.
    The scope relates to either a local entity or a peer.";
  container domains {
    description
      "The domain for the local PCEP entity or a peer.";
    list domain {
      key "type domain";
      description
        "The domain information.";
      uses domain {
        description
          "The domain for the local PCEP entity or a peer.";
      }
    }
  }
  container capabilities {
    description
      "The PCEP entity or peer capability information.
      This may be relevant to PCE selection as well.
      This information corresponds to PCE auto-
      discovery information.";
    reference
      "IANA IGP: Path Computation Element (PCE) Capability
      Flags in Interior Gateway Protocol (IGP) Parameters
      RFC 5088: OSPF Protocol Extensions for Path
      Computation Element (PCE) Discovery
      RFC 5089: IS-IS Protocol Extensions for Path
      Computation Element (PCE) Discovery
      RFC 9353: IGP Extension for Path Computation Element
      Communication Protocol (PCEP) Security Capability
      Support in PCE Discovery (PCED)";
    leaf capability {
      type bits {
        bit gmpls {
          if-feature "gmpls";
          description
            "Path computation with GMPLS link
            constraints.";
        }
        bit bi-dir {
          description
            "Bidirectional path computation.";
        }
        bit diverse {
          description
            "Diverse path computation.";
        }
        bit load-balance {
          description
            "Load-balanced path computation.";
        }
        bit synchronize {
          if-feature "svec";
          description
            "Synchronized paths computation.";
        }
      }
    }
  }
}

```

```
}
bit objective-function {
  if-feature "objective-function";
  description
    "Support for multiple objective functions.";
}
bit add-path-constraint {
  description
    "Support for additive path constraints (max
    hop count, etc).";
}
bit prioritization {
  description
    "Support for request prioritization.";
}
bit multi-request {
  description
    "Support for multiple requests per message.";
}
bit global-concurrent {
  if-feature "global-concurrent";
  description
    "Support for Global Concurrent Optimization
    (GCO).";
  reference
    "RFC 5557: Path Computation Element Communication
    Protocol (PCEP) Requirements and Protocol
    Extensions in Support of Global Concurrent
    Optimization";
}
bit p2mp {
  if-feature "p2mp";
  description
    "Support for P2MP path computation.";
  reference
    "RFC 8306: Extensions to the Path Computation
    Element Communication Protocol (PCEP) for
    Point-to-Multipoint Traffic Engineering Label
    Switched Paths";
}
bit active {
  if-feature "stateful";
  description
    "Support for active stateful PCE.";
  reference
    "RFC 8231: Path Computation Element
    Communication Protocol (PCEP) Extensions
    for Stateful PCE";
}
bit passive {
  if-feature "stateful";
  description
    "Support for passive stateful PCE.";
  reference
    "RFC 8231: Path Computation Element
    Communication Protocol (PCEP) Extensions
    for Stateful PCE";
}
```

```
bit p2mp-active {
  if-feature "stateful";
  if-feature "p2mp";
  description
    "Support for active stateful PCE for P2MP.";
  reference
    "RFC 8623: Stateful Path Computation Element
    (PCE) Protocol Extensions for Usage with
    Point-to-Multipoint TE Label Switched Paths
    (LSPs)";
}
bit p2mp-passive {
  if-feature "stateful";
  if-feature "p2mp";
  description
    "Support for passive stateful PCE for P2MP.";
  reference
    "RFC 8623: Stateful Path Computation Element
    (PCE) Protocol Extensions for Usage with
    Point-to-Multipoint TE Label Switched Paths
    (LSPs)";
}
bit p2mp-pce-initiated {
  if-feature "stateful";
  if-feature "pce-initiated";
  if-feature "p2mp";
  description
    "Support for PCE-initiated LSP for P2MP.";
  reference
    "RFC 8623: Stateful Path Computation Element
    (PCE) Protocol Extensions for Usage with
    Point-to-Multipoint TE Label Switched Paths
    (LSPs)";
}
bit flowspec {
  if-feature "flowspec";
  description
    "Support for Flow Specification.";
  reference
    "RFC 9168: Path Computation Element Communication
    Protocol (PCEP) Extension for Flow Specification";
}
bit tcp-ao {
  description
    "Support for the TCP Authentication Option
    (TCP-AO).";
  reference
    "RFC 5440: Path Computation Element (PCE)
    Communication Protocol (PCEP)
    RFC 5925: The TCP Authentication Option";
}
bit tls {
  if-feature "tls";
  description
    "Support for TLS.";
  reference
    "RFC 8253: PCEPS: Usage of TLS to Provide a
    Secure Transport for the Path Computation
```

```
        Element Communication Protocol (PCEP)";
    }
}
description
    "The bits string indicating the capabilities.";
reference
    "IANA IGP: Path Computation Element (PCE) Capability
    Flags in Interior Gateway Protocol (IGP) Parameters
    RFC 5088: OSPF Protocol Extensions for Path
    Computation Element (PCE) Discovery
    RFC 5089: IS-IS Protocol Extensions for Path
    Computation Element (PCE) Discovery
    RFC 9353: IGP Extension for Path Computation Element
    Communication Protocol (PCEP) Security Capability
    Support in PCE Discovery (PCED)";
}
leaf pce-initiated {
    if-feature "pce-initiated";
    type boolean;
    default "false";
    description
        "Set to true if PCE-initiated LSP capability is
        enabled.";
    reference
        "RFC 8281: Path Computation Element Communication
        Protocol (PCEP) Extensions for PCE-Initiated LSP
        Setup in a Stateful PCE Model";
}
leaf include-db-ver {
    if-feature "stateful";
    if-feature "sync-opt";
    type boolean;
    default "true";
    description
        "Support inclusion of LSP-DB-VERSION
        in LSP object.";
    reference
        "RFC 8232: Optimizations of Label Switched Path State
        Synchronization Procedures for a Stateful PCE";
}
leaf trigger-resync {
    if-feature "stateful";
    if-feature "sync-opt";
    type boolean;
    default "true";
    description
        "Support PCE-triggered resynchronization.";
    reference
        "RFC 8232: Optimizations of Label Switched Path State
        Synchronization Procedures for a Stateful PCE";
}
leaf trigger-initial-sync {
    if-feature "stateful";
    if-feature "sync-opt";
    type boolean;
    default "true";
    description
        "PCE-triggered initial synchronization.";
```

```
    reference
      "RFC 8232: Optimizations of Label Switched Path State
      Synchronization Procedures for a Stateful PCE";
  }
  leaf incremental-sync {
    if-feature "stateful";
    if-feature "sync-opt";
    type boolean;
    default "true";
    description
      "Support incremental (delta) synchronization.";
    reference
      "RFC 8232: Optimizations of Label Switched Path State
      Synchronization Procedures for a Stateful PCE";
  }
  container sr-mpls {
    if-feature "sr-mpls";
    description
      "If segment routing for MPLS is supported at the local
      entity or a peer.";
    reference
      "RFC 8664: Path Computation Element Communication Protocol
      (PCEP) Extensions for Segment Routing";
    leaf enabled {
      type boolean;
      default "false";
      description
        "Set to true if SR-MPLS is enabled.";
    }
    leaf no-msd-limit {
      type boolean;
      default "false";
      description
        "True indicates no limit on Maximum SID Depth (MSD); the
        leaf msd is ignored.";
    }
    leaf nai {
      type boolean;
      default "false";
      description
        "True indicates the capability to resolve Node or
        Adjacency Identifier (NAI) to Segment
        Identifier (SID).";
    }
  }
  container stateful-gmpls {
    if-feature "stateful";
    if-feature "gmpls";
    description
      "If stateful GMPLS is supported for a local entity
      or a peer.";
    reference
      "RFC 8779: Path Computation Element Communication Protocol
      (PCEP) Extensions for GMPLS";
    leaf enabled {
      type boolean;
      default "false";
      description
```

```
        "Set to true if stateful GMPLS is enabled.";
    }
}
leaf inter-layer {
    if-feature "inter-layer";
    type boolean;
    default "false";
    description
        "If inter-layer path computation is supported for
        local entity or a peer.";
    reference
        "RFC 8282: Extensions to the Path Computation
        Element Communication Protocol (PCEP) for Inter-
        Layer MPLS and GMPLS Traffic Engineering";
}
container h-pce {
    if-feature "h-pce";
    description
        "If Hierarchical PCE (H-PCE) is supported for local
        entity or a peer.";
    reference
        "RFC 8685: Path Computation Element Communication
        Protocol (PCEP) Extensions for the Hierarchical Path
        Computation Element (H-PCE) Architecture";
    leaf enabled {
        type boolean;
        default "false";
        description
            "Set to true if H-PCE is enabled.";
    }
    leaf stateful {
        if-feature "stateful";
        type boolean;
        default "false";
        description
            "Set to true if stateful H-PCE is enabled.";
        reference
            "RFC 8751: Hierarchical Stateful Path Computation
            Element (PCE)";
    }
    leaf role {
        when "../.../role = 'pce'"
            + "or "
            + "../.../role = 'pcc-and-pce'" {
            description
                "These fields are applicable when the role is PCE.";
        }
        type hpce-role;
        description
            "The H-PCE role of the PCE.";
    }
}
}
leaf msd {
    if-feature "sr-mpls";
    type uint8;
    config false;
    description
```

```

        "Maximum SID Depth (MSD) for SR-MPLS (i.e., the label stack
        depth that a PCC is capable of imposing on a packet).";
    reference
        "RFC 8664: Path Computation Element Communication Protocol
        (PCEP) Extensions for Segment Routing";
    }
}

grouping pce-info {
    description
        "This grouping specifies all PCE information
        that may be relevant to the PCE selection.
        This information corresponds to PCE auto-discovery
        information.";
    container scope {
        description
            "This container defines PCE path computation scope
            information that may be relevant to PCE selection.
            This information corresponds to PCE auto-discovery
            information.";
        leaf path-scope {
            type bits {
                bit intra-area-scope {
                    description
                        "PCE can compute intra-area paths (L bit).";
                }
                bit inter-area-scope {
                    description
                        "PCE can compute inter-area paths (R bit).";
                }
                bit inter-area-scope-default {
                    description
                        "PCE can act as a default PCE for inter-area
                        path computation (Rd bit).";
                }
                bit inter-as-scope {
                    description
                        "PCE can compute inter-AS paths (S bit).";
                }
                bit inter-as-scope-default {
                    description
                        "PCE can act as a default PCE for inter-AS
                        path computation (Sd bit).";
                }
                bit inter-layer-scope {
                    description
                        "PCE can compute inter-layer paths (Y bit).";
                }
            }
        }
        description
            "The field corresponding to the path scope bits.";
    }
    leaf intra-area-pref {
        type uint8 {
            range "0..7";
        }
        description
            "The PCE's preference for intra-area TE LSP

```



```
        computation (PrefL field), where 7 reflects
        the highest preference.";
    }
    leaf inter-area-pref {
        type uint8 {
            range "0..7";
        }
        description
            "The PCE's preference for inter-area TE LSP
            computation (PrefR field), where 7 reflects
            the highest preference.";
    }
    leaf inter-as-pref {
        type uint8 {
            range "0..7";
        }
        description
            "The PCE's preference for inter-AS TE LSP
            computation (PrefS field), where 7 reflects
            the highest preference.";
    }
    leaf inter-layer-pref {
        type uint8 {
            range "0..7";
        }
        description
            "The PCE's preference for inter-layer TE LSP
            computation (PrefY field), where 7 reflects
            the highest preference.";
    }
    reference
        "RFC 5088: OSPF Protocol Extensions for Path
        Computation Element (PCE) Discovery
        RFC 5089: IS-IS Protocol Extensions for Path
        Computation Element (PCE) Discovery";
    }
    container neighbor-domains {
        description
            "The list of neighbor PCE domains
            toward which a PCE can compute
            paths.";
        list domain {
            key "type domain";
            description
                "The neighbor domain.";
            uses domain {
                description
                    "The PCE neighbor domain.";
            }
        }
    }
}

grouping notification-instance-hdr {
    description
        "This group describes common instance-specific data
        for notifications.";
    leaf peer-addr {
```

```
    type leafref {
      path "/pcep/entity/peers/peer/addr";
    }
    description
      "Reference to peer address.";
  }
}

grouping notification-session-hdr {
  description
    "This group describes common session instance-specific
    data for notifications.";
  uses notification-instance-hdr;
  leaf session-initiator {
    type leafref {
      path "/pcep/entity/peers/peer[addr=current()../../peer-addr]/"
        + "sessions/session/initiator";
    }
    description
      "Reference to pcep session initiator leaf.";
  }
}

grouping of-list {
  description
    "List of Objective Functions (OF).";
  reference
    "RFC 5541: Encoding of Objective Functions in the Path
    Computation Element Communication Protocol (PCEP)";
  list objective-function {
    key "of";
    description
      "The list of authorized OF.";
    leaf of {
      type identityref {
        base te-types:objective-function-type;
      }
      description
        "The OF authorized.";
    }
  }
}

grouping auth {
  description
    "The authentication options.";
  container auth {
    description
      "The authentication options.";
    choice auth-type-selection {
      description
        "Options for expressing authentication
        setting.";
      case auth-key-chain {
        leaf key-chain {
          type key-chain:key-chain-ref;
          description
            "Key-chain name.";
        }
      }
    }
  }
}
```

```

    }
  }
  case auth-key {
    leaf crypto-algorithm {
      type identityref {
        base key-chain:crypto-algorithm;
      }
      mandatory true;
      description
        "Cryptographic algorithm associated
        with key.";
    }
    choice key-string-style {
      description
        "Key string styles.";
      case keystack {
        leaf keystack {
          nacm:default-deny-all;
          type string;
          description
            "Key string in ASCII format.";
        }
      }
      case hexadecimal {
        if-feature "key-chain:hex-key-string";
        leaf hexadecimal-string {
          nacm:default-deny-all;
          type yang:hex-string;
          description
            "Key in hexadecimal string format. When
            compared to ASCII, specification in
            hexadecimal affords greater key entropy
            with the same number of internal
            key-string octets. Additionally, it
            discourages usage of well-known words or
            numbers.";
        }
      }
    }
  }
}
case auth-tls {
  if-feature "tls";
  choice role {
    description
      "The role of the local entity.";
    case server {
      container tls-server {
        uses tlss:tls-server-grouping {
          description
            "Server TLS information.";
        }
      }
      description
        "TLS-related information.";
    }
  }
  case client {
    container tls-client {
      uses tlsc:tls-client-grouping {

```

```

        description
            "Client TLS information.";
    }
    description
        "TLS-related information.";
    }
    }
    }
    }
}

/*
 * Configuration data nodes
 */

container pcep {
    presence "The PCEP is enabled";
    description
        "Parameters for list of configured PCEP entities
        on the device.";
    container entity {
        description
            "The configured PCEP entity on the device.";
        leaf-list addr {
            type inet:ip-address-no-zone;
            min-elements 1;
            ordered-by user;
            description
                "The local Internet address of this PCEP entity.
                If operating as a PCE server, the PCEP entity
                listens on this address.  If operating as a PCC,
                the PCEP entity binds outgoing TCP connections
                to this address based on the address family.  It is
                possible for the PCEP entity to operate as both a
                PCC and a PCE server, in which case it uses this
                address both to listen for incoming TCP connections
                and to bind outgoing TCP connections.";
        }
        leaf enabled {
            type boolean;
            default "true";
            description
                "The administrative status of this PCEP
                entity; set to true when UP.";
        }
        leaf role {
            type role;
            must '(. != "unknown")' {
                error-message "The PCEP entity role cannot be unknown";
            }
            mandatory true;
            description
                "The role that this entity can play.
                Takes one of the following values:
                - pcc(1): this PCEP entity is a PCC,
                - pce(2): this PCEP entity is a PCE,

```

```
    - pcc-and-pce(3): this PCEP entity is both
      a PCC and a PCE.";
  }
  leaf description {
    type string;
    description
      "Description of the PCEP entity configured
       by the user.";
  }
  leaf speaker-entity-id {
    if-feature "sync-opt";
    type string;
    description
      "The Speaker Entity Identifier.";
    reference
      "RFC 8232: Optimizations of Label Switched
       Path State Synchronization Procedures for
       a Stateful PCE";
  }
  leaf admin-status {
    type boolean;
    default "true";
    description
      "The administrative status of this PCEP entity.
       The value true represents admin status as up.
       This is the desired operational status as
       currently set by an operator or by default in
       the implementation. The value of oper-status
       represents the current status of an attempt to
       reach this desired status.";
  }
  leaf index {
    type uint32;
    config false;
    description
      "The index of the operational PCEP entity.";
  }
  leaf oper-status {
    type oper-status;
    config false;
    description
      "The operational status of the PCEP entity.
       Takes one of the following values:
       - oper-status-up(1): the PCEP entity is active,
       - oper-status-down(2): the PCEP entity is inactive,
       - oper-status-going-up(3): the PCEP entity is
         activating,
       - oper-status-going-down(4): the PCEP entity is
         deactivating,
       - oper-status-failed(5): the PCEP entity has
         failed and will recover when possible,
       - oper-status-failed-perm(6): the PCEP entity
         has failed and will not recover without
         operator intervention.";
  }
  uses domain-info {
    description
      "Local PCEP entity information.";
  }
}
```

```
}
uses auth {
  description
    "Local authorization and security parameters.";
}
container pce-info {
  when "../role = 'pce'"
    + "or "
    + "../role = 'pcc-and-pce'" {
    description
      "These fields are applicable when the role is PCE.";
  }
  description
    "The local PCE entity PCE information.";
  uses pce-info {
    description
      "Local PCE information.";
  }
  container path-key {
    if-feature "path-key";
    description
      "Path-key configuration.";
    reference
      "RFC 5520: Preserving Topology Confidentiality in
      Inter-Domain Path Computation Using a Path-Key-
      Based Mechanism";
    leaf enabled {
      type boolean;
      default "false";
      description
        "Enabled or disabled; set to true when enabled.";
    }
    leaf discard-timer {
      type uint32;
      units "minutes";
      default "10";
      description
        "A timer to discard unwanted path-keys.";
    }
    leaf reuse-time {
      type uint32 {
        range "30..max";
      }
      units "minutes";
      default "30";
      description
        "A time after which the path-keys could be reused.";
    }
    leaf pce-id {
      type inet:ip-address-no-zone;
      description
        "PCE address to be used in each Path-Key Subobject
        (PKS), same as local PCE entity IP address.";
    }
  }
}
leaf connect-timer {
  type uint16 {
```

```
    range "1..max";
  }
  units "seconds";
  default "60";
  description
    "The time in seconds that the PCEP entity will wait
    to establish a TCP connection with a peer.  If a
    TCP connection is not established within this time,
    then PCEP aborts the session setup attempt.";
  reference
    "RFC 5440: Path Computation Element (PCE) Communication
    Protocol (PCEP)";
}
leaf connect-max-retry {
  type uint32;
  default "5";
  description
    "The maximum number of times the system tries to
    establish a TCP connection to a peer before the
    session with the peer transitions to the idle
    state.";
  reference
    "RFC 5440: Path Computation Element (PCE) Communication
    Protocol (PCEP)";
}
leaf init-back-off-timer {
  type uint16 {
    range "1..max";
  }
  units "seconds";
  mandatory true;
  description
    "The initial back-off time in seconds for retrying
    a failed session setup attempt to a peer.
    The back-off time increases for each failed
    session setup attempt, until a maximum back-off
    time is reached.  The maximum back-off time is the
    max-back-off-timer leaf.";
  reference
    "RFC 5440: Path Computation Element (PCE) Communication
    Protocol (PCEP)";
}
leaf max-back-off-timer {
  type uint32;
  units "seconds";
  mandatory true;
  description
    "The maximum back-off time in seconds for retrying
    a failed session setup attempt to a peer.
    The back-off time increases for each failed session
    setup attempt, until this maximum value is reached.
    Session setup attempts then repeat periodically
    without any further increase in back-off time.";
  reference
    "RFC 5440: Path Computation Element (PCE) Communication
    Protocol (PCEP)";
}
leaf open-wait-timer {
```

```
    type uint16;
    units "seconds";
    config false;
    description
      "The time in seconds that the PCEP entity will wait
      to receive an Open message from a peer after the
      TCP connection has come up.
      If no Open message is received within this time, then
      PCEP terminates the TCP connection and deletes the
      associated sessions.";
    reference
      "RFC 5440: Path Computation Element (PCE) Communication
      Protocol (PCEP)";
  }
  leaf keep-wait-timer {
    type uint16;
    units "seconds";
    config false;
    description
      "The time in seconds that the PCEP entity will wait
      to receive a Keepalive or PCErr message from a peer
      during session initialization after receiving an
      Open message.  If no Keepalive or PCErr message is
      received within this time, then PCEP terminates the
      TCP connection and deletes the associated
      sessions.";
    reference
      "RFC 5440: Path Computation Element (PCE) Communication
      Protocol (PCEP)";
  }
  leaf keepalive-timer {
    type uint8;
    units "seconds";
    default "30";
    description
      "The Keepalive timer that this PCEP
      entity will propose in the initial Open message of
      each session it is involved in.  This is the
      maximum time between two consecutive messages sent
      to a peer.  Zero means that the PCEP entity prefers
      not to send Keepalives at all.
      Note that the actual Keepalive transmission
      intervals, in either direction of an active PCEP
      session, are determined by negotiation between the
      peers as specified by RFC 5440 and thus may differ
      from this configured value.";
    reference
      "RFC 5440: Path Computation Element (PCE) Communication
      Protocol (PCEP)";
  }
  leaf dead-timer {
    type uint8;
    units "seconds";
    must '(. > ../keepalive-timer)' {
      error-message "The DeadTimer must be "
        + "larger than the Keepalive timer";
    }
    default "120";
  }
}
```



```
    description
      "The DeadTimer that this PCEP entity will propose
      in the initial Open message of each session it is
      involved in. This is the time after which a peer
      should declare a session down if it does not
      receive any PCEP messages. Zero suggests that the
      peer does not run a DeadTimer at all.";
    reference
      "RFC 5440: Path Computation Element (PCE) Communication
      Protocol (PCEP)";
  }
  leaf allow-negotiation {
    type boolean;
    default "true";
    description
      "Whether the PCEP entity will permit the negotiation
      of session parameters.";
  }
  leaf max-keepalive-timer {
    type uint8;
    units "seconds";
    mandatory true;
    description
      "The maximum value that this PCEP entity will
      accept from a peer for the interval between
      Keepalive transmissions. Zero means that the PCEP
      entity will allow no Keepalive transmission at
      all.";
  }
  leaf max-dead-timer {
    type uint8;
    units "seconds";
    mandatory true;
    description
      "The maximum value in seconds that this PCEP
      entity will accept from a peer for the DeadTimer.
      Zero means that the PCEP entity will allow not
      running a DeadTimer.";
  }
  leaf min-keepalive-timer {
    type uint8;
    units "seconds";
    mandatory true;
    description
      "The minimum value in seconds that this PCEP
      entity will accept for the interval between
      Keepalive transmissions. Zero means that the
      PCEP entity insists on no Keepalive
      transmission at all.";
  }
  leaf min-dead-timer {
    type uint8;
    units "seconds";
    mandatory true;
    description
      "The minimum value in seconds that this PCEP
      entity will accept for the DeadTimer. Zero
      means that the PCEP entity insists on not
```

```
        running a DeadTimer.";
    }
    leaf sync-timer {
        if-feature "svec";
        type uint16;
        units "seconds";
        default "60";
        description
            "The value of SyncTimer in seconds is used in the
            case of synchronized path computation request
            using the SVEC object. If after the expiration of
            the SyncTimer all the path computation requests
            have not been received, a protocol error is
            triggered, and the PCE must cancel the whole set
            of path computation requests.
            Zero means that the PCEP entity does not use the
            SyncTimer.";
        reference
            "RFC 5440: Path Computation Element (PCE)
            Communication Protocol (PCEP)";
    }
    leaf request-timer {
        type uint16 {
            range "1..max";
        }
        units "seconds";
        mandatory true;
        description
            "The maximum time that the PCEP entity will wait
            for a response to a PCReq message.";
    }
    leaf max-sessions {
        type uint32;
        mandatory true;
        description
            "Maximum number of sessions involving this PCEP
            entity that can exist at any time.";
    }
    leaf max-unknown-reqs {
        type uint32;
        default "5";
        description
            "The maximum number of unrecognized requests and
            replies that any session on this PCEP entity is
            willing to accept per minute before terminating
            the session.
            A PCRep message contains an unrecognized reply
            if it contains an RP object whose request ID
            does not correspond to any in-progress request
            sent by this PCEP entity.
            A PCReq message contains an unrecognized request
            if it contains an RP object whose request ID is
            zero.";
        reference
            "RFC 5440: Path Computation Element (PCE)
            Communication Protocol (PCEP)";
    }
    leaf max-unknown-msgs {
```

```

    type uint32;
    default "5";
    description
      "The maximum number of unknown messages that any
      session on this PCEP entity is willing to accept
      per minute before terminating the session.";
    reference
      "RFC 5440: Path Computation Element (PCE)
      Communication Protocol (PCEP)";
  }
  leaf pcep-notification-max-rate {
    type uint32;
    mandatory true;
    description
      "This variable indicates the maximum number of
      notifications issued per second. If events
      occur more rapidly, the implementation may
      simply fail to emit these notifications during
      that period or may queue them until an
      appropriate time. A value of 0 means no
      notifications are emitted and all should be
      discarded (that is, not queued).";
  }
  container stateful-parameter {
    if-feature "stateful";
    description
      "The configured stateful PCE parameters.";
    leaf state-timeout {
      type uint32;
      units "seconds";
      mandatory true;
      description
        "When a PCEP session is terminated, a PCC
        waits for this time period before flushing
        LSP state associated with that PCEP session
        and reverting to operator-defined default
        parameters or behaviors. The max value
        represents infinity.";
      reference
        "RFC 8231: Path Computation Element Communication
        Protocol (PCEP) Extensions for Stateful PCE";
    }
    leaf redelegation-timeout {
      when "../role = 'pcc'"
        + "or "
        + "../role = 'pcc-and-pce'" {
        description
          "This field is applicable when the role is
          PCC.";
      }
      type uint32;
      units "seconds";
      must '(< ../state-timeout)' {
        error-message "The Redlegation Timeout must be "
          + "less than the State Timeout";
      }
      mandatory true;
      description

```

```
        "When a PCEP session is terminated, a PCC
        waits for this time period before revoking
        LSP delegation to a PCE and attempting to
        redelegate LSPs associated with the
        terminated PCEP session to an alternate
        PCE.";
    reference
        "RFC 8231: Path Computation Element Communication
        Protocol (PCEP) Extensions for Stateful PCE";
}
leaf rpt-non-pcep-lsp {
    when "../role = 'pcc'"
    + "or "
    + "../role = 'pcc-and-pce'" {
        description
            "This field is applicable when the role is
            PCC.";
    }
    type boolean;
    default "true";
    description
        "If set, a PCC reports LSPs that are not
        controlled by any PCE (for example, LSPs
        that are statically configured at the
        PCC).";
}
reference
    "RFC 8231: Path Computation Element Communication Protocol
    (PCEP) Extensions for Stateful PCE";
}
container of-list {
    when "../role = 'pce'"
    + "or "
    + "../role = 'pcc-and-pce'" {
        description
            "These fields are applicable when the role is
            PCE.";
    }
    if-feature "objective-function";
    uses of-list;
    description
        "The authorized OF-List at PCE for all peers.";
}
container lsp-db {
    if-feature "stateful";
    config false;
    description
        "The LSP-DB.";
    leaf db-ver {
        when "../role = 'pcc'"
        + "or "
        + "../role = 'pcc-and-pce'" {
            description
                "This field is applicable when the role is
                PCC.";
        }
        if-feature "sync-opt";
        type uint64;
    }
}
```

```

    description
      "The LSP State Database Version Number.";
  }
  list association-list {
    if-feature "association";
    key "type id source global-source extended-id";
    description
      "List of all PCEP associations.";
    reference
      "RFC 8697: Path Computation Element Communication
      Protocol (PCEP) Extensions for Establishing
      Relationships between Sets of Label Switched
      Paths (LSPs)";
    leaf type {
      type identityref {
        base te-types:association-type;
      }
      description
        "The PCEP Association Type.";
      reference
        "IANA PCEP: ASSOCIATION Type Field in Path
        Computation Element Protocol (PCEP) Numbers
        RFC 8697: Path Computation Element Communication
        Protocol (PCEP) Extensions for Establishing
        Relationships between Sets of Label Switched
        Paths (LSPs)";
    }
    leaf id {
      type uint16;
      description
        "PCEP Association ID.";
    }
    leaf source {
      type inet:ip-address-no-zone;
      description
        "PCEP Association Source.";
    }
    leaf global-source {
      type uint32;
      description
        "PCEP Global Association Source.";
    }
    leaf extended-id {
      type string;
      description
        "Additional information to support unique
        identification (Extended Association ID).";
    }
    list lsp {
      key "plsp-id pcc-id lsp-id";
      description
        "List of all LSP in this association.";
      leaf plsp-id {
        type leafref {
          path "/pcep/entity/lsp-db/"
            + "lsp/plsp-id";
        }
        description

```



```
    reference
      "RFC 8231: Path Computation Element
      Communication Protocol (PCEP) Extensions
      for Stateful PCE";
  }
  leaf tunnel-id {
    type uint16;
    description
      "Tunnel identifier used in the LSP-IDENTIFIERS
      TLV that remains constant over the life
      of the tunnel.";
    reference
      "RFC 8231: Path Computation Element
      Communication Protocol (PCEP) Extensions
      for Stateful PCE";
  }
  leaf lsp-id {
    type uint16;
    description
      "Identifier used in the LSP-IDENTIFIERS TLV
      that can be changed to allow a sender to share
      resources with itself.";
    reference
      "RFC 8231: Path Computation Element
      Communication Protocol (PCEP) Extensions
      for Stateful PCE";
  }
  leaf extended-tunnel-id {
    type inet:ip-address-no-zone;
    description
      "Extended tunnel ID of the LSP in LSP-IDENTIFIERS
      TLV. The all-zeros format is represented as
      0.0.0.0 and ::.";
    reference
      "RFC 8231: Path Computation Element
      Communication Protocol (PCEP) Extensions
      for Stateful PCE";
  }
  leaf admin-state {
    type boolean;
    default "true";
    description
      "The desired operational state.";
  }
  leaf operational-state {
    type operational-state;
    description
      "The operational status of the LSP.";
  }
  container delegated {
    description
      "The delegation-related parameters.";
    leaf enabled {
      type boolean;
      default "false";
      description
        "LSP is delegated or not; set to true when
        delegated.";
    }
  }
}
```

```

    }
    leaf peer {
      when '../enabled' {
        description
          "The LSP must be delegated.";
      }
      type leafref {
        path "/pcep/entity/peers/peer/addr";
      }
      description
        "At the PCC, the reference to the PCEP peer to
        which LSP is delegated; at the PCE, the
        reference to the PCEP peer that delegated this
        LSP.";
    }
    leaf srp-id {
      type uint32 {
        range "1..4294967294";
      }
      description
        "The last SRP-ID-number associated with this
        LSP. The values 0x00000000 and 0xFFFFFFFF
        are reserved.";
    }
  }
  container initiation {
    if-feature "pce-initiated";
    description
      "The parameters related to PCE initiation.";
    reference
      "RFC 8281: Path Computation Element Communication
      Protocol (PCEP) Extensions for PCE-Initiated LSP
      Setup in a Stateful PCE Model";
    leaf enabled {
      type boolean;
      default "false";
      description
        "Set to true if this LSP is initiated by a PCE.";
    }
    leaf peer {
      when '../enabled' {
        description
          "The LSP must be PCE-initiated.";
      }
      type leafref {
        path "/pcep/entity/peers/peer/addr";
      }
      description
        "If the role is PCC, this leaf refers to the PCEP
        peer (PCE) that initiated this LSP. If the role
        is PCE, this leaf refers to the PCEP peer (PCC)
        where the LSP is initiated.";
    }
  }
  leaf symbolic-path-name {
    type string;
    description
      "The symbolic path name associated with the LSP.";
  }

```



```

    reference
      "RFC 8231: Path Computation Element Communication
      Protocol (PCEP) Extensions for Stateful PCE";
  }
  leaf last-error {
    type identityref {
      base lsp-error;
    }
    description
      "The last error for the LSP.";
  }
  leaf pst {
    type identityref {
      base te-types:path-signaling-type;
    }
    default "te-types:path-setup-rsvp";
    description
      "The Path Setup Type (PST). Note that the
      te-types model uses the term Path Signaling
      Type.";
    reference
      "RFC 8408: Conveying Path Setup Type in PCE
      Communication Protocol (PCEP) Messages";
  }
  list association-list {
    if-feature "association";
    key "type id source global-source extended-id";
    description
      "List of all PCEP associations.";
    leaf type {
      type leafref {
        path "/pcep/entity/lsp-db/"
          + "association-list/type";
      }
      description
        "PCEP Association Type.";
    }
    leaf id {
      type leafref {
        path "/pcep/entity/lsp-db/"
          + "association-list[type=current()/"
          + "../type]/id";
      }
      description
        "PCEP Association ID.";
    }
    leaf source {
      type leafref {
        path "/pcep/entity/lsp-db/"
          + "association-list[type=current()/"
          + "../type]"
          + "[id=current()/"
          + "../id]/source";
      }
      description
        "PCEP Association Source.";
    }
    leaf global-source {
      type leafref {
        path "/pcep/entity/lsp-db/"

```

```

        + "association-list[type=current()/../type]"
        + "[id=current()/../id]"
        + "[source=current()/../source]"
        + "/global-source";
    }
    description
        "PCEP Global Association Source.";
}
leaf extended-id {
    type leafref {
        path "/pcep/entity/lsp-db/"
        + "association-list[type=current()/../type]"
        + "[id=current()/../id]"
        + "[source=current()/../source]"
        + "[global-source=current()/../global-source]"
        + "/extended-id";
    }
    description
        "Additional information to
        support unique identification.";
}
reference
    "RFC 8697: Path Computation Element Communication
    Protocol (PCEP) Extensions for Establishing
    Relationships between Sets of Label Switched
    Paths (LSPs)";
}
}
}
}
container path-keys {
    when "../role = 'pce' or ../role = 'pcc-and-pce'" {
        description
            "These fields are applicable when the role is
            PCE.";
    }
    if-feature "path-key";
    config false;
    description
        "The path-keys generated by the PCE.";
    reference
        "RFC 5520: Preserving Topology Confidentiality
        in Inter-Domain Path Computation Using a Path-
        Key-Based Mechanism";
    list path-key {
        key "key";
        description
            "The list of path-keys generated by the PCE.";
        leaf key {
            type uint16;
            description
                "The identifier or token used to represent
                the Confidential Path Segment (CPS) within
                the context of the PCE.";
        }
    }
    container cps {
        description
            "The Confidential Path Segment (CPS).";
        list explicit-route-objects {

```

```
    key "index";
    description
      "List of Explicit Route Objects (EROs).";
    leaf index {
      type uint32;
      description
        "ERO subobject index.";
    }
    uses te-types:explicit-route-hop;
  }
}
leaf pcc-requester {
  type leafref {
    path "/pcep/entity/peers/peer/addr";
  }
  description
    "Reference to PCC peer address that
     issued the original request that led
     to the creation of the path-key.";
}
leaf req-id {
  type uint32;
  description
    "The request ID of the original PCReq.";
}
leaf retrieved {
  type boolean;
  description
    "If path-key has been retrieved yet.";
}
leaf pcc-retrieved {
  when '../retrieved' {
    description
      "The path-key should be retrieved.";
  }
  type leafref {
    path "/pcep/entity/peers/peer/addr";
  }
  description
    "Reference to PCC peer address that
     retrieved the path-key.";
}
leaf creation-time {
  type yang:timestamp;
  description
    "The timestamp value at the time this path-key
     was created.";
}
leaf discard-time {
  type uint32;
  units "minutes";
  description
    "A time after which this path-key will be
     discarded.";
}
leaf reuse-time {
  type uint32;
  units "minutes";
}
```

```
        description
            "A time after which this path-key could be
            reused.";
    }
}
}
container peers {
    description
        "The list of configured peers for the
        entity (remote PCE).";
    list peer {
        key "addr";
        description
            "The peer configured for the entity.
            (remote PCE).";
        leaf addr {
            type inet:ip-address-no-zone;
            description
                "The local Internet address of this
                PCEP peer.";
        }
        leaf role {
            type role;
            must '(. != "pcc-and-pce")' {
                error-message
                    "The PCEP peer cannot be both
                    PCE and PCC at the same time";
            }
            mandatory true;
            description
                "The role of the PCEP peer.
                Takes one of the following values:
                - unknown(0): this PCEP peer role is not
                known,
                - pcc(1): this PCEP peer is a PCC,
                - pce(2): this PCEP peer is a PCE,
                - pcc-and-pce(3): is not allowed as PCEP
                peer cannot be acting as both a PCC and a
                PCE at the same time.";
        }
        leaf description {
            type string;
            description
                "Description of the PCEP peer
                configured by the user.";
        }
        uses domain-info {
            description
                "PCE peer information.";
        }
        container pce-info {
            uses pce-info {
                description
                    "Using the PCE peer information grouping.";
            }
            description
                "The PCE peer information.";
        }
    }
}
```

```
leaf delegation-pref {
  if-feature "stateful";
  type uint8 {
    range "0..7";
  }
  mandatory true;
  description
    "The PCE peer delegation preference, where
     7 reflects the highest preference.";
}
uses auth {
  description
    "The PCE peer authorization and security
     parameters.";
}
leaf discontinuity-time {
  type yang:timestamp;
  config false;
  description
    "The timestamp of the time when the information and
     statistics were last reset.";
}
leaf initiate-session {
  type boolean;
  config false;
  description
    "Indicates whether the local PCEP entity initiates
     sessions to this peer or waits for the peer to
     initiate a session.";
}
leaf session-exists {
  type boolean;
  config false;
  description
    "Indicates whether a session with
     this peer currently exists.";
}
leaf session-up-time {
  type yang:timestamp;
  config false;
  description
    "The timestamp value of the last time a
     session with this peer was successfully
     established.";
}
leaf session-fail-time {
  type yang:timestamp;
  config false;
  description
    "The timestamp value of the last time a
     session with this peer failed to be
     established.";
}
leaf session-fail-up-time {
  type yang:timestamp;
  config false;
  description
    "The timestamp value of the last time a
```

```
        session with this peer failed from
        active.";
    }
    container sessions {
        config false;
        description
            "This entry represents a single PCEP
            session in which the local PCEP entity participates.
            This entry exists only if the corresponding PCEP
            session has been initialized by some event, such as
            manual user configuration, auto-discovery of a peer,
            or an incoming TCP connection.";
        list session {
            key "initiator";
            description
                "The list of sessions; note that for a time being
                two sessions may exist for a peer.";
            leaf initiator {
                type initiator;
                description
                    "The initiator of the session, that is, whether
                    the TCP connection was initiated by the local
                    PCEP entity or the peer.
                    There is a window during session
                    initialization where two sessions can exist
                    between a pair of PCEP speakers, each
                    initiated by one of the speakers. One of
                    these sessions is always discarded before it
                    leaves OpenWait state. However, before it is
                    discarded, two sessions to the given peer
                    appear transiently in this YANG module. The
                    sessions are distinguished by who initiated
                    them, and so this field is the key.";
            }
            leaf role {
                type leafref {
                    path "../..../role";
                }
                description
                    "The peer role.";
            }
            leaf state-last-change {
                type yang:timestamp;
                description
                    "The timestamp value at the time this
                    session entered its current state as
                    denoted by the state leaf.";
            }
            leaf state {
                type sess-state;
                description
                    "The current state of the session.
                    The set of possible states excludes the
                    idle state since entries do not exist
                    in the idle state.";
            }
            leaf session-creation {
                type yang:timestamp;
            }
        }
    }
}
```

```
    description
      "The timestamp value at the time this
      session was created.";
  }
  leaf connect-retry {
    type yang:counter32;
    description
      "The number of times that the local PCEP
      entity has attempted to establish a TCP
      connection for this session without
      success. The PCEP entity gives up when
      this reaches connect-max-retry.";
  }
  leaf local-id {
    type uint8;
    description
      "The value of the PCEP session ID used by
      the local PCEP entity in the Open message
      for this session. If the state is tcp-pending,
      then this is the session ID that will be
      used in the Open message. Otherwise, this
      is the session ID that was sent in the
      Open message.";
    reference
      "RFC 5440: Path Computation Element (PCE)
      Communication Protocol (PCEP)";
  }
  leaf remote-id {
    type uint8;
    description
      "The value of the PCEP session ID used by the
      peer in its Open message for this session.

      If the state is TCPPending or OpenWait, then
      this leaf is not used and MUST be set to
      zero.";
    reference
      "RFC 5440: Path Computation Element (PCE)
      Communication Protocol (PCEP)";
  }
  leaf keepalive-timer {
    type uint8;
    units "seconds";
    description
      "The agreed maximum interval at which the local
      PCEP entity transmits PCEP messages on this PCEP
      session. Zero means that the local PCEP entity
      never sends Keepalives on this session.

      This field is used if and only if the state
      is session-up. Otherwise, it is not used and
      MUST be set to zero.";
    reference
      "RFC 5440: Path Computation Element (PCE)
      Communication Protocol (PCEP)";
  }
  leaf peer-keepalive-timer {
    type uint8;
```

```

units "seconds";
description
  "The agreed maximum interval at which the peer
  transmits PCEP messages on this PCEP session.
  Zero means that the peer never sends Keepalives
  on this session.

  This field is used if and only if state is
  session-up. Otherwise, it is not used and MUST
  be set to zero.";
reference
  "RFC 5440: Path Computation Element (PCE)
  Communication Protocol (PCEP)";
}
leaf dead-timer {
  type uint8;
  units "seconds";
  description
    "The DeadTimer interval for this PCEP session.";
  reference
    "RFC 5440: Path Computation Element (PCE)
    Communication Protocol (PCEP)";
}
leaf peer-dead-timer {
  type uint8;
  units "seconds";
  description
    "The peer's DeadTimer interval for this PCEP
    session.

    If the state is TCPPending or OpenWait, then
    this leaf is not used and MUST be set to zero.";
  reference
    "RFC 5440: Path Computation Element (PCE)
    Communication Protocol (PCEP)";
}
leaf ka-hold-time-rem {
  type uint8;
  units "seconds";
  description
    "The Keepalive hold time remaining for this
    session.

    If the state is TCPPending or OpenWait, then
    this field is not used and MUST be set to
    zero.";
}
leaf overloaded {
  type boolean;
  description
    "If the local PCEP entity has informed the peer
    that it is currently overloaded, then this is
    set to true. Otherwise, it is set to false.";
  reference
    "RFC 5440: Path Computation Element (PCE)
    Communication Protocol (PCEP)";
}
leaf overloaded-timestamp {

```



```
    when '../overloaded' {
      description
        "Valid when overloaded.";
    }
    type yang:timestamp;
    description
      "The timestamp value of the time when the
       overloaded field was set to true.";
  }
  leaf overload-time {
    type uint32;
    units "seconds";
    description
      "The interval of time that is remaining until the
       local PCEP entity will cease to be overloaded on
       this session.

       This field is only used if overloaded is set to
       true. Otherwise, it is not used and MUST be set
       to zero.";
    reference
      "RFC 5440: Path Computation Element (PCE)
       Communication Protocol (PCEP)";
  }
  leaf peer-overloaded {
    type boolean;
    description
      "If the peer has informed the local PCEP entity
       that it is currently overloaded, then this is
       set to true. Otherwise, it is set to false.";
    reference
      "RFC 5440: Path Computation Element (PCE)
       Communication Protocol (PCEP)";
  }
  leaf peer-overloaded-timestamp {
    when '../peer-overloaded' {
      description
        "Valid when peer is overloaded.";
    }
    type yang:timestamp;
    description
      "The timestamp value of the time when the
       peer-overloaded field was set to true.";
  }
  leaf peer-overload-time {
    type uint32;
    units "seconds";
    description
      "The interval of time that is remaining until
       the peer will cease to be overloaded. If it
       is not known how long the peer will stay in
       overloaded state, this leaf is set to zero.

       This field is only used if peer-overloaded
       is set to true. Otherwise, it is not used
       and MUST be set to zero.";
    reference
      "RFC 5440: Path Computation Element (PCE)";
  }
}
```

```
        Communication Protocol (PCEP)";
    }
    leaf lspdb-sync {
        if-feature "stateful";
        type sync-state;
        description
            "The LSP-DB state synchronization status.";
        reference
            "RFC 8231: Path Computation Element Communication
            Protocol (PCEP) Extensions for Stateful PCE";
    }
    leaf recv-db-ver {
        when "../role = 'pcc'"
            + "or "
            + "../role = 'pcc-and-pce'" {
            description
                "This field is applicable when the role is
                PCC.";
        }
        if-feature "stateful";
        if-feature "sync-opt";
        type uint64;
        description
            "The last received LSP State Database Version
            Number.";
        reference
            "RFC 8231: Path Computation Element Communication
            Protocol (PCEP) Extensions for Stateful PCE";
    }
    container of-list {
        when "../role = 'pce'"
            + "or "
            + "../role = 'pcc-and-pce'" {
            description
                "These fields are applicable when the role is
                PCE.";
        }
        if-feature "objective-function";
        uses of-list;
        description
            "Indicate the list of supported OF on this
            session.";
        reference
            "RFC 5541: Encoding of Objective Functions in
            the Path Computation Element Communication
            Protocol (PCEP)";
    }
    container pst-list {
        when "../role = 'pce'"
            + "or "
            + "../role = 'pcc-and-pce'" {
            description
                "These fields are applicable when the role is
                PCE.";
        }
        description
            "Indicate the list of supported
            PST on this session.";
    }
}
```



```
*/

notification pcep-session-up {
  description
    "This notification is sent when the value of
    '/pcep/peers/peer/sessions/session/state'
    enters the 'session-up' state.";
  uses notification-session-hdr;
  leaf state-last-change {
    type yang:timestamp;
    description
      "The timestamp value at the time this session
      entered its current state as denoted by the state
      leaf.";
  }
  leaf state {
    type sess-state;
    description
      "The current state of the session.
      The set of possible states excludes the idle state
      since entries do not exist in the idle state.";
  }
  reference
    "RFC 5440: Path Computation Element (PCE) Communication
    Protocol (PCEP)";
}

notification pcep-session-down {
  description
    "This notification is sent when the value of
    '/pcep/peers/peer/sessions/session/state'
    leaves the 'session-up' state.";
  uses notification-instance-hdr;
  leaf session-initiator {
    type initiator;
    description
      "The initiator of the session.";
  }
  leaf state-last-change {
    type yang:timestamp;
    description
      "The timestamp value at the time this session
      entered its current state as denoted by the state
      leaf.";
  }
  leaf state {
    type sess-state;
    description
      "The current state of the session.
      The set of possible states excludes the idle state
      since entries do not exist in the idle state.";
  }
  reference
    "RFC 5440: Path Computation Element (PCE) Communication
    Protocol (PCEP)";
}

notification pcep-session-local-overload {
```

```
description
  "This notification is sent when the local PCEP entity
  enters overload state for a peer.";
uses notification-session-hdr;
leaf overloaded {
  type boolean;
  description
    "If the local PCEP entity has informed the peer
    that it is currently overloaded, then this is set
    to true. Otherwise, it is set to false.";
}
leaf overloaded-timestamp {
  type yang:timestamp;
  description
    "The timestamp value of the time when the
    overloaded field was set to true.";
}
leaf overload-time {
  type uint32;
  units "seconds";
  description
    "The interval of time that is remaining until the
    local PCEP entity will cease to be overloaded on
    this session.";
}
reference
  "RFC 5440: Path Computation Element (PCE) Communication
  Protocol (PCEP)";
}

notification pcep-session-local-overload-clear {
  description
    "This notification is sent when the local PCEP entity
    leaves overload state for a peer.";
  uses notification-instance-hdr;
  leaf overloaded {
    type boolean;
    description
      "If the local PCEP entity has informed the peer
      that it is currently overloaded, then this is set
      to true. Otherwise, it is set to false.";
  }
  leaf overloaded-clear-timestamp {
    type yang:timestamp;
    description
      "The timestamp value of the time when the
      overloaded field was set to false.";
  }
  reference
    "RFC 5440: Path Computation Element (PCE) Communication
    Protocol (PCEP)";
}

notification pcep-session-peer-overload {
  description
    "This notification is sent when a peer enters overload
    state.";
  uses notification-session-hdr;
```

```
leaf peer-overloaded {
  type boolean;
  description
    "If the peer has informed the local PCEP entity that
    it is currently overloaded, then this is set to
    true. Otherwise, it is set to false.";
}
leaf peer-overloaded-timestamp {
  type yang:timestamp;
  description
    "The timestamp value of the time when the
    peer-overloaded field was set to true.";
}
leaf peer-overload-time {
  type uint32;
  units "seconds";
  description
    "The interval of time that is remaining until the
    peer will cease to be overloaded. If it is not
    known how long the peer will stay in overloaded
    state, this leaf is set to zero.";
}
reference
  "RFC 5440: Path Computation Element (PCE) Communication
  Protocol (PCEP)";
}

notification pcep-session-peer-overload-clear {
  description
    "This notification is sent when a peer leaves overload
    state.";
  uses notification-instance-hdr;
  leaf peer-overloaded {
    type boolean;
    description
      "If the peer has informed the local PCEP entity that
      it is currently overloaded, then this is set to
      true. Otherwise, it is set to false.";
  }
  leaf peer-overloaded-clear-timestamp {
    type yang:timestamp;
    description
      "The timestamp value of the time when the
      peer-overloaded field was set to false.";
  }
  reference
    "RFC 5440: Path Computation Element (PCE) Communication
    Protocol (PCEP)";
}

/*
 * RPC
 */

rpc trigger-resync {
  if-feature "stateful";
  if-feature "sync-opt";
  nacm:default-deny-all;
```



authors of the code. All rights reserved.

Redistribution and use in source and binary forms, with or without modification, is permitted pursuant to, and subject to the license terms contained in, the Revised BSD License set forth in Section 4.c of the IETF Trust's Legal Provisions Relating to IETF Documents (<https://trustee.ietf.org/license-info>).

This version of this YANG module is part of RFC 9826; see the RFC itself for full legal notices.";

```
revision 2025-09-12 {
  description
    "Initial revision.";
  reference
    "RFC 9826: A YANG Data Model for the Path Computation
    Element Communication Protocol (PCEP)";
}

/*
 * Features
 */

feature reset-all {
  description
    "Support resetting of all PCEP statistics.";
}

/*
 * Groupings
 */

grouping stats {
  description
    "This grouping defines statistics for PCEP. It is used
    for both peer and current sessions. Since this grouping
    includes a relative path, care needs to be taken while
    using it.";
  leaf discontinuity-time {
    type yang:timestamp;
    description
      "The timestamp value of the time when the
      statistics were last reset.";
  }
  container pce {
    when "../../pcep:role = 'pce'"
      + "or "
      + "../../pcep:role = 'pcc-and-pce'" {
      description
        "Valid for PCEP peer as PCE.";
    }
    leaf rsp-time-avg {
      type uint32;
      units "milliseconds";
      description
        "The average response time. If an average response time
        has not been calculated, then this leaf has the value
```



```
        zero.";
    }
    leaf rsp-time-lwm {
        type uint32;
        units "milliseconds";
        description
            "The smallest (low-water mark) response time seen.
            If no responses have been received, then this leaf has
            the value zero.";
    }
    leaf rsp-time-hwm {
        type uint32;
        units "milliseconds";
        description
            "The greatest (high-water mark) response time seen.
            If no responses have been received, then this object
            has the value zero.";
    }
    leaf pcreq-sent {
        type yang:counter32;
        description
            "The number of PCReq messages sent.";
    }
    leaf pcreq-rcvd {
        type yang:counter32;
        description
            "The number of PCReq messages received.";
    }
    leaf pcrep-sent {
        type yang:counter32;
        description
            "The number of PCRep messages sent.";
    }
    leaf pcrep-rcvd {
        type yang:counter32;
        description
            "The number of PCRep messages received.";
    }
    leaf req-sent {
        type yang:counter32;
        description
            "The number of requests sent. A request corresponds
            1:1 with an RP object in a PCReq message. This might
            be greater than pcreq-sent because multiple
            requests can be batched into a single PCReq
            message.";
    }
    leaf req-sent-pend-rep {
        type yang:counter32;
        description
            "The number of requests that have been sent for
            which a response is still pending.";
    }
    leaf req-sent-ero-rcvd {
        type yang:counter32;
        description
            "The number of requests that have been sent for
            which a response with an ERO object was received."
    }

```

```
        Such responses indicate that a path was
        successfully computed by the peer.";
    }
    leaf req-sent-nopath-rcvd {
        type yang:counter32;
        description
            "The number of requests that have been sent for
            which a response with a NO-PATH object was
            received. Such responses indicate that the peer
            could not find a path to satisfy the
            request.";
    }
    leaf req-sent-cancel-rcvd {
        type yang:counter32;
        description
            "The number of requests that were cancelled with
            a PCNtf message. This might be different than
            pcntf-rcvd because not all PCNtf messages are
            used to cancel requests, and a single PCNtf message
            can cancel multiple requests.";
    }
    leaf req-sent-error-rcvd {
        type yang:counter32;
        description
            "The number of requests that were rejected with a
            PCErr message. This might be different than
            pcerr-rcvd because not all PCErr messages are
            used to reject requests, and a single PCErr message
            can reject multiple requests.";
    }
    leaf req-sent-timeout {
        type yang:counter32;
        description
            "The number of requests that have been sent to a peer
            and have been abandoned because the peer has taken too
            long to respond to them.";
    }
    leaf req-sent-cancel-sent {
        type yang:counter32;
        description
            "The number of requests that were sent to the peer and
            explicitly cancelled by the local PCEP entity sending
            a PCNtf.";
    }
    leaf rep-rcvd-unknown {
        type yang:counter32;
        description
            "The number of responses to unknown requests
            received. A response to an unknown request is a
            response whose RP object does not contain the
            request ID of any request that is currently
            outstanding on the session.";
    }
    }
    description
        "The stats related to PCE as peer.";
}
leaf pcerr-sent {
    type yang:counter32;
```

```
    description
      "The number of PCErr messages sent.";
  }
  leaf pcerr-rcvd {
    type yang:counter32;
    description
      "The number of PCErr messages received.";
  }
  leaf pcntf-sent {
    type yang:counter32;
    description
      "The number of PCNtf messages sent.";
  }
  leaf pcntf-rcvd {
    type yang:counter32;
    description
      "The number of PCNtf messages received.";
  }
  leaf keepalive-sent {
    type yang:counter32;
    description
      "The number of Keepalive messages sent.";
  }
  leaf keepalive-rcvd {
    type yang:counter32;
    description
      "The number of Keepalive messages received.";
  }
  leaf unknown-rcvd {
    type yang:counter32;
    description
      "The number of unknown messages received.";
  }
  leaf corrupt-rcvd {
    type yang:counter32;
    description
      "The number of corrupted PCEP messages received.";
  }
  container pcc {
    when "../../pcep:role = 'pcc'"
      + "or "
      + "../../pcep:role = 'pcc-and-pce'" {
      description
        "Valid for PCEP peer as PCC.";
    }
    leaf req-rcvd {
      type yang:counter32;
      description
        "The number of requests received. A request
        corresponds 1:1 with an RP object in a PCReq
        message.
        This might be greater than pcreq-rcvd because
        multiple requests can be batched into a single
        PCReq message.";
    }
    leaf req-rcvd-pend-rep {
      type yang:counter32;
      description

```

```
        "The number of requests that have been received for
        which a response is still pending.";
    }
    leaf req-rcvd-ero-sent {
        type yang:counter32;
        description
            "The number of requests that have been received for
            which a response with an ERO object was sent. Such
            responses indicate that a path was successfully
            computed by the local PCEP entity.";
    }
    leaf req-rcvd-nopath-sent {
        type yang:counter32;
        description
            "The number of requests that have been received for
            which a response with a NO-PATH object was sent. Such
            responses indicate that the local PCEP entity could
            not find a path to satisfy the request.";
    }
    leaf req-rcvd-cancel-sent {
        type yang:counter32;
        description
            "The number of requests received that were cancelled
            by the local PCEP entity sending a PCNtf message.
            This might be different than pcntf-sent because
            not all PCNtf messages are used to cancel requests,
            and a single PCNtf message can cancel multiple
            requests.";
    }
    leaf req-rcvd-error-sent {
        type yang:counter32;
        description
            "The number of requests received that were cancelled
            by the local PCEP entity sending a PCErr message.
            This might be different than pcerr-sent because
            not all PCErr messages are used to cancel requests,
            and a single PCErr message can cancel multiple
            requests.";
    }
    leaf req-rcvd-cancel-rcvd {
        type yang:counter32;
        description
            "The number of requests that were received from the
            peer and explicitly cancelled by the peer sending
            a PCNtf.";
    }
    leaf req-rcvd-unknown {
        type yang:counter32;
        description
            "The number of unknown requests that have been
            received. An unknown request is a request
            whose RP object contains a request ID of zero.";
    }
    }
    description
        "The stats related to PCC as peer.";
}
container svec {
    if-feature "pcep:svec";
```

```

description
  "If synchronized path computation is supported.";
container pce {
  when "../.../pcep:role = 'pce'"
  + "or "
  + "../.../pcep:role = 'pcc-and-pce'" {
    description
      "Valid for PCEP peer as PCE.";
  }
  leaf svec-sent {
    type yang:counter32;
    description
      "The number of SVEC objects sent in PCReq messages.
      An SVEC object represents a set of synchronized
      requests.";
  }
  leaf svec-req-sent {
    type yang:counter32;
    description
      "The number of requests sent that appeared in one
      or more SVEC objects.";
  }
  description
    "The SVEC stats related to PCE.";
}
container pcc {
  when "../.../pcep:role = 'pcc'"
  + "or "
  + "../.../pcep:role = 'pcc-and-pce'" {
    description
      "Valid for PCEP peer as PCC.";
  }
  leaf svec-rcvd {
    type yang:counter32;
    description
      "The number of SVEC objects received in PCReq
      messages. An SVEC object represents a set of
      synchronized requests.";
  }
  leaf svec-req-rcvd {
    type yang:counter32;
    description
      "The number of requests received that appeared
      in one or more SVEC objects.";
  }
  description
    "The SVEC stats related to PCC as peer.";
}
}
container stateful {
  if-feature "pcep:stateful";
  description
    "Stateful PCE-related statistics.";
  container pce {
    when "../.../pcep:role = 'pce'"
    + "or "
    + "../.../pcep:role = 'pcc-and-pce'" {
      description

```

```
        "Valid for PCEP peer as PCE.";
    }
    leaf pcrpt-sent {
        type yang:counter32;
        description
            "The number of PCRpt messages sent.";
    }
    leaf pcupd-rcvd {
        type yang:counter32;
        description
            "The number of PCUpd messages received.";
    }
    leaf rpt-sent {
        type yang:counter32;
        description
            "The number of LSP reports sent. An LSP report
            corresponds 1:1 with an LSP object in a PCRpt
            message. This might be greater than
            pcrpt-sent because multiple reports can
            be batched into a single PCRpt message.";
    }
    leaf upd-rcvd {
        type yang:counter32;
        description
            "The number of LSP updates received. An LSP update
            corresponds 1:1 with an LSP object in a PCUpd
            message.
            This might be greater than pcupd-rcvd because
            multiple updates can be batched into a single
            PCUpd message.";
    }
    leaf upd-rcvd-unknown {
        type yang:counter32;
        description
            "The number of updates to unknown LSPs
            received. An update to an unknown LSP is a
            update whose LSP object does not contain the
            PLSP-ID of any LSP that is currently
            present.";
    }
    leaf upd-rcvd-undelegated {
        type yang:counter32;
        description
            "The number of updates to not delegated LSPs
            received. An update to an undelegated LSP is a
            update whose LSP object does not contain the
            PLSP-ID of any LSP that is currently
            delegated to the current PCEP session.";
    }
    leaf upd-rcvd-error-sent {
        type yang:counter32;
        description
            "The number of updates to LSPs received that were
            responded by the local PCEP entity by sending a
            PCErr message.";
    }
    description
        "The stateful stats related to PCE as peer";
```

```

}
container pcc {
  when "../.../.../pcep:role = 'pcc'"
  + "or "
  + "../.../.../pcep:role = 'pcc-and-pce'" {
    description
      "Valid for PCEP peer as PCC.";
  }
  leaf pcrpt-rcvd {
    type yang:counter32;
    description
      "The number of PCRpt messages received.";
  }
  leaf pcupd-sent {
    type yang:counter32;
    description
      "The number of PCUpd messages sent.";
  }
  leaf rpt-rcvd {
    type yang:counter32;
    description
      "The number of LSP reports received. An LSP report
      corresponds 1:1 with an LSP object in a PCRpt
      message.
      This might be greater than pcrpt-rcvd because
      multiple reports can be batched into a single
      PCRpt message.";
  }
  leaf rpt-rcvd-error-sent {
    type yang:counter32;
    description
      "The number of reports of LSPs received that were
      responded by the local PCEP entity by sending a
      PCErr message.";
  }
  leaf upd-sent {
    type yang:counter32;
    description
      "The number of LSP updates sent. An LSP update
      corresponds 1:1 with an LSP object in a PCUpd
      message. This might be greater than
      pcupd-sent because multiple updates can
      be batched into a single PCUpd message.";
  }
  description
    "The stateful stats related to PCC as peer.";
}
container initiation {
  if-feature "pcep:pce-initiated";
  description
    "PCE-initiated related statistics.";
  container pcc {
    when "../.../.../.../pcep:role = 'pcc'"
    + "or "
    + "../.../.../.../pcep:role = 'pcc-and-pce'" {
      description
        "Valid for PCEP peer as PCC.";
    }
  }
}

```

```

    leaf pcinitiate-sent {
      type yang:counter32;
      description
        "The number of PCInitiate messages sent.";
    }
    leaf initiate-sent {
      type yang:counter32;
      description
        "The number of LSP initiations sent via PCE.
        An LSP initiation corresponds 1:1 with an LSP
        object in a PCInitiate message. This might be
        greater than pcinitiate-sent because
        multiple initiations can be batched into a
        single PCInitiate message.";
    }
    description
      "The initiation stats related to PCC as peer.";
  }
  container pce {
    when "../..../pcep:role = 'pce'"
      + "or "
      + "../..../pcep:role = 'pcc-and-pce'" {
      description
        "Valid for PCEP peer as PCE.";
    }
    leaf pcinitiate-rcvd {
      type yang:counter32;
      description
        "The number of PCInitiate messages received.";
    }
    leaf initiate-rcvd {
      type yang:counter32;
      description
        "The number of LSP initiations received from
        PCE. An LSP initiation corresponds 1:1 with
        an LSP object in a PCInitiate message. This
        might be greater than pcinitiate-rcvd
        because multiple initiations can be batched
        into a single PCInitiate message.";
    }
    leaf initiate-rcvd-error-sent {
      type yang:counter32;
      description
        "The number of initiations of LSPs received
        that were responded to by the local PCEP entity
        by sending a PCErr message.";
    }
    description
      "The initiation stats related to PCE as peer.";
  }
}
}
}
container path-key {
  when "../..../pcep:role = 'pcc'"
    + "or "
    + "../..../pcep:role = 'pcc-and-pce'" {
  description
    "Valid for PCEP peer as PCC.";
}
}
}

```



```
    }
    if-feature "pcep:path-key";
    description
      "If path-key is supported.";
    leaf unknown-path-key {
      type yang:counter32;
      description
        "The number of attempts to expand an unknown
        path-key.";
    }
    leaf exp-path-key {
      type yang:counter32;
      description
        "The number of attempts to expand an expired
        path-key.";
    }
    leaf dup-path-key {
      type yang:counter32;
      description
        "The number of duplicate attempts to expand the same
        path-key.";
    }
    leaf path-key-no-attempt {
      type yang:counter32;
      description
        "The number of expired path-keys with no attempt to
        expand it.";
    }
  }
  action reset-statistics {
    description
      "The reset action will clear the statistics at the
      associated container.";
    input {
      leaf reset-at {
        type yang:date-and-time;
        description
          "The time when the reset was issued.";
      }
    }
    output {
      leaf reset-finished-at {
        type yang:date-and-time;
        description
          "The time when the reset finished.";
      }
    }
  }
}

/*
 * Augment modules to add statistics
 */

augment "/pcep:pcep/pcep:entity/pcep:peers/pcep:peer" {
  description
    "Augmenting the statistics.";
  container stats {
```

```
config false;
description
  "The container for all statistics at peer level.";
uses stats {
  description
    "Since PCEP sessions can be ephemeral, the peer statistics
    tracks a peer even when no PCEP session currently exists
    to that peer. The statistics contained are an aggregate
    of the statistics for all successive sessions to that
    peer.";
}
leaf sess-setup-ok {
  type yang:counter32;
  config false;
  description
    "The number of PCEP sessions successfully established with
    the peer, including any current session. This counter is
    incremented each time a session with this peer is
    successfully established.";
}
leaf sess-setup-fail {
  type yang:counter32;
  config false;
  description
    "The number of PCEP sessions with the peer
    that have been attempted but failed
    before being fully established. This
    counter is incremented each time a
    session retry to this peer fails.";
}
leaf req-sent-closed {
  when "../../pcep:role = 'pce'"
  + "or"
  + "../../pcep:role = 'pcc-and-pce'" {
  description
    "Valid for PCEP peer as PCE.";
}
  type yang:counter32;
  description
    "The number of requests that were sent to the peer and
    implicitly cancelled when the session they were sent
    over was closed.";
}
leaf req-rcvd-closed {
  when "../../pcep:role = 'pcc'"
  + "or"
  + "../../pcep:role = 'pcc-and-pce'" {
  description
    "Valid for PCEP peer as PCC.";
}
  type yang:counter32;
  description
    "The number of requests that were received from the peer
    and implicitly cancelled when the session they were
    received over was closed.";
}
}
}
```

```

augment "/pcep:pcep/pcep:entity/pcep:peers/pcep:peer/"
  + "pcep:sessions/pcep:session" {
  description
    "Augmenting the statistics.";
  container stats {
    description
      "The container for all statistics at session level.";
    uses stats {
      description
        "The statistics contained are for the current sessions to
        that peer. These are lost when the session goes down.";
    }
  }
}

rpc reset-pcep-statistics-all {
  if-feature "reset-all";
  description
    "Reset all the PCEP statistics collected across all peers
    and sessions. This RPC is used if the implementation
    supports a mechanism to reset all PCEP statistics across
    all peers and sessions through mechanisms such as by
    walking a list of pointers to those peers and sessions.

    If this mechanism is not supported, implementations must
    reset PCEP statistics individually by invoking the action
    for each peer and session.";
}
}
<CODE ENDS>

```

## 9. Security Considerations

This section is modeled after the template described in [Section 3.7.1](#) of [\[YANG-GUIDELINES\]](#).

The "ietf-pcep" and "ietf-pcep-stats" YANG modules define data models that are designed to be accessed via YANG-based management protocols, such as NETCONF [\[RFC6241\]](#) and RESTCONF [\[RFC8040\]](#). These protocols have to use a secure transport layer (e.g., SSH [\[RFC4252\]](#), TLS [\[RFC8446\]](#), and QUIC [\[RFC9000\]](#)) and have to use mutual authentication.

The Network Configuration Access Control Model (NACM) [\[RFC8341\]](#) provides the means to restrict access for particular NETCONF or RESTCONF users to a preconfigured subset of all available NETCONF or RESTCONF protocol operations and content.

### The "ietf-pcep" YANG module:

There are a number of data nodes defined in the "ietf-pcep" YANG module that are writable/creatable/deletable (i.e., "config true", which is the default). All writable data nodes are likely to be reasonably sensitive or vulnerable in some network environments. Write operations (e.g.,

edit-config) and delete operations to these data nodes without proper protection or authentication can have a negative effect on network operations. The following subtrees and data nodes have particular sensitivities/vulnerabilities:

- /pcep/entity/: Configures local parameters, capabilities, etc.
- /pcep/entity/peers: Configures remote peers to set up a PCEP session.

Unauthorized access to the above list can adversely affect the PCEP session between the local entity and the peers. This may lead to the inability to compute new paths, and stateful operations on the delegated as well as PCE-initiated LSPs.

Some of the readable data nodes in this YANG module may be considered sensitive or vulnerable in some network environments. It is thus important to control read access (e.g., via get, get-config, or notification) to these data nodes. Specifically, the following subtrees and data nodes have particular sensitivities/ vulnerabilities:

- /pcep/lsp-db: All the LSPs in the network. Unauthorized access to this could provide all path and network usage information.
- /pcep/path-keys/: The Confidential Path Segments (CPS) are hidden using path-keys. Unauthorized access to this could leak confidential path information.

Some of the RPC or action operations in this YANG module may be considered sensitive or vulnerable in some network environments. It is thus important to control access to these operations. Specifically, the following operation has particular sensitivities/ vulnerabilities:

- trigger-resync: Triggers resynchronization with the PCE. Unauthorized access to this could force a PCEP session into continuous state synchronization.

This YANG module uses groupings from other YANG modules that define nodes that may be considered sensitive or vulnerable in network environments. Refer to the Security Considerations of [\[RFC9645\]](#) and [\[RFC8776\]](#) for information as to which nodes may be considered sensitive or vulnerable in network environments.

The actual authentication key data (whether locally specified or part of a key-chain) is sensitive and needs to be kept secret from unauthorized parties; compromise of the key data would allow an attacker to forge PCEP traffic that would be accepted as authentic, potentially compromising the TE domain.

The model describes several notifications; implementations must rate-limit the generation of these notifications to avoid creating a significant notification load. Otherwise, this notification load may have some side effects on the system stability and may be exploited as an attack vector.

The "auth" container includes various authentication and security options for PCEP. Further, [Section 7.1](#) describes how to configure TLS 1.2 and TLS 1.3 for a PCEP session via this YANG module.

**The "ietf-pcep-stats" YANG module:**

There are no particularly sensitive writable data nodes.

There are no particularly sensitive readable data nodes.

Some of the RPC or action operations in this YANG module may be considered sensitive or vulnerable in some network environments. It is thus important to control access to these operations. Specifically, the following operation has particular sensitivities/vulnerabilities:

- `reset-pcep-statistics-all`: The RPC is used to reset all PCEP statistics across all peers and sessions. An unauthorized reset could impact monitoring.

## 10. IANA Considerations

IANA has registered the following URIs in the "IETF XML Registry" [[RFC3688](#)]:

URI: `urn:ietf:params:xml:ns:yang:ietf-pcep`  
Registrant Contact: The IESG  
XML: N/A; the requested URI is an XML namespace.

URI: `urn:ietf:params:xml:ns:yang:ietf-pcep-stats`  
Registrant Contact: The IESG  
XML: N/A; the requested URI is an XML namespace.

IANA has registered the following YANG modules in the "YANG Module Names" registry [[RFC6020](#)]:

Name: `ietf-pcep`  
Namespace: `urn:ietf:params:xml:ns:yang:ietf-pcep`  
Prefix: `pcep`  
Reference: RFC 9826

Name: `ietf-pcep-stats`  
Namespace: `urn:ietf:params:xml:ns:yang:ietf-pcep-stats`  
Prefix: `pcep-stats`  
Reference: RFC 9826

## 11. References

### 11.1. Normative References

- [[RFC2119](#)] Bradner, S., "Key words for use in RFCs to Indicate Requirement Levels", BCP 14, RFC 2119, DOI 10.17487/RFC2119, March 1997, <<https://www.rfc-editor.org/info/rfc2119>>.

- 
- [RFC3688] Mealling, M., "The IETF XML Registry", BCP 81, RFC 3688, DOI 10.17487/RFC3688, January 2004, <<https://www.rfc-editor.org/info/rfc3688>>.
- [RFC4252] Ylonen, T. and C. Lonvick, Ed., "The Secure Shell (SSH) Authentication Protocol", RFC 4252, DOI 10.17487/RFC4252, January 2006, <<https://www.rfc-editor.org/info/rfc4252>>.
- [RFC5088] Le Roux, JL., Ed., Vasseur, JP., Ed., Ikejiri, Y., and R. Zhang, "OSPF Protocol Extensions for Path Computation Element (PCE) Discovery", RFC 5088, DOI 10.17487/RFC5088, January 2008, <<https://www.rfc-editor.org/info/rfc5088>>.
- [RFC5089] Le Roux, JL., Ed., Vasseur, JP., Ed., Ikejiri, Y., and R. Zhang, "IS-IS Protocol Extensions for Path Computation Element (PCE) Discovery", RFC 5089, DOI 10.17487/RFC5089, January 2008, <<https://www.rfc-editor.org/info/rfc5089>>.
- [RFC5440] Vasseur, JP., Ed. and JL. Le Roux, Ed., "Path Computation Element (PCE) Communication Protocol (PCEP)", RFC 5440, DOI 10.17487/RFC5440, March 2009, <<https://www.rfc-editor.org/info/rfc5440>>.
- [RFC5520] Bradford, R., Ed., Vasseur, JP., and A. Farrel, "Preserving Topology Confidentiality in Inter-Domain Path Computation Using a Path-Key-Based Mechanism", RFC 5520, DOI 10.17487/RFC5520, April 2009, <<https://www.rfc-editor.org/info/rfc5520>>.
- [RFC5541] Le Roux, JL., Vasseur, JP., and Y. Lee, "Encoding of Objective Functions in the Path Computation Element Communication Protocol (PCEP)", RFC 5541, DOI 10.17487/RFC5541, June 2009, <<https://www.rfc-editor.org/info/rfc5541>>.
- [RFC5557] Lee, Y., Le Roux, JL., King, D., and E. Oki, "Path Computation Element Communication Protocol (PCEP) Requirements and Protocol Extensions in Support of Global Concurrent Optimization", RFC 5557, DOI 10.17487/RFC5557, July 2009, <<https://www.rfc-editor.org/info/rfc5557>>.
- [RFC5925] Touch, J., Mankin, A., and R. Bonica, "The TCP Authentication Option", RFC 5925, DOI 10.17487/RFC5925, June 2010, <<https://www.rfc-editor.org/info/rfc5925>>.
- [RFC6020] Bjorklund, M., Ed., "YANG - A Data Modeling Language for the Network Configuration Protocol (NETCONF)", RFC 6020, DOI 10.17487/RFC6020, October 2010, <<https://www.rfc-editor.org/info/rfc6020>>.
- [RFC6241] Enns, R., Ed., Bjorklund, M., Ed., Schoenwaelder, J., Ed., and A. Bierman, Ed., "Network Configuration Protocol (NETCONF)", RFC 6241, DOI 10.17487/RFC6241, June 2011, <<https://www.rfc-editor.org/info/rfc6241>>.
- [RFC6991] Schoenwaelder, J., Ed., "Common YANG Data Types", RFC 6991, DOI 10.17487/RFC6991, July 2013, <<https://www.rfc-editor.org/info/rfc6991>>.
- [RFC7950] Bjorklund, M., Ed., "The YANG 1.1 Data Modeling Language", RFC 7950, DOI 10.17487/RFC7950, August 2016, <<https://www.rfc-editor.org/info/rfc7950>>.

- 
- [RFC8040] Bierman, A., Bjorklund, M., and K. Watsen, "RESTCONF Protocol", RFC 8040, DOI 10.17487/RFC8040, January 2017, <<https://www.rfc-editor.org/info/rfc8040>>.
- [RFC8174] Leiba, B., "Ambiguity of Uppercase vs Lowercase in RFC 2119 Key Words", BCP 14, RFC 8174, DOI 10.17487/RFC8174, May 2017, <<https://www.rfc-editor.org/info/rfc8174>>.
- [RFC8177] Lindem, A., Ed., Qu, Y., Yeung, D., Chen, I., and J. Zhang, "YANG Data Model for Key Chains", RFC 8177, DOI 10.17487/RFC8177, June 2017, <<https://www.rfc-editor.org/info/rfc8177>>.
- [RFC8231] Crabbe, E., Minei, I., Medved, J., and R. Varga, "Path Computation Element Communication Protocol (PCEP) Extensions for Stateful PCE", RFC 8231, DOI 10.17487/RFC8231, September 2017, <<https://www.rfc-editor.org/info/rfc8231>>.
- [RFC8232] Crabbe, E., Minei, I., Medved, J., Varga, R., Zhang, X., and D. Dhody, "Optimizations of Label Switched Path State Synchronization Procedures for a Stateful PCE", RFC 8232, DOI 10.17487/RFC8232, September 2017, <<https://www.rfc-editor.org/info/rfc8232>>.
- [RFC8253] Lopez, D., Gonzalez de Dios, O., Wu, Q., and D. Dhody, "PCEPS: Usage of TLS to Provide a Secure Transport for the Path Computation Element Communication Protocol (PCEP)", RFC 8253, DOI 10.17487/RFC8253, October 2017, <<https://www.rfc-editor.org/info/rfc8253>>.
- [RFC8281] Crabbe, E., Minei, I., Sivabalan, S., and R. Varga, "Path Computation Element Communication Protocol (PCEP) Extensions for PCE-Initiated LSP Setup in a Stateful PCE Model", RFC 8281, DOI 10.17487/RFC8281, December 2017, <<https://www.rfc-editor.org/info/rfc8281>>.
- [RFC8282] Oki, E., Takeda, T., Farrel, A., and F. Zhang, "Extensions to the Path Computation Element Communication Protocol (PCEP) for Inter-Layer MPLS and GMPLS Traffic Engineering", RFC 8282, DOI 10.17487/RFC8282, December 2017, <<https://www.rfc-editor.org/info/rfc8282>>.
- [RFC8306] Zhao, Q., Dhody, D., Ed., Palleti, R., and D. King, "Extensions to the Path Computation Element Communication Protocol (PCEP) for Point-to-Multipoint Traffic Engineering Label Switched Paths", RFC 8306, DOI 10.17487/RFC8306, November 2017, <<https://www.rfc-editor.org/info/rfc8306>>.
- [RFC8340] Bjorklund, M. and L. Berger, Ed., "YANG Tree Diagrams", BCP 215, RFC 8340, DOI 10.17487/RFC8340, March 2018, <<https://www.rfc-editor.org/info/rfc8340>>.
- [RFC8341] Bierman, A. and M. Bjorklund, "Network Configuration Access Control Model", STD 91, RFC 8341, DOI 10.17487/RFC8341, March 2018, <<https://www.rfc-editor.org/info/rfc8341>>.
- [RFC8408] Sivabalan, S., Tantsura, J., Minei, I., Varga, R., and J. Hardwick, "Conveying Path Setup Type in PCE Communication Protocol (PCEP) Messages", RFC 8408, DOI 10.17487/RFC8408, July 2018, <<https://www.rfc-editor.org/info/rfc8408>>.

- 
- [RFC8446] Rescorla, E., "The Transport Layer Security (TLS) Protocol Version 1.3", RFC 8446, DOI 10.17487/RFC8446, August 2018, <<https://www.rfc-editor.org/info/rfc8446>>.
- [RFC8623] Palle, U., Dhody, D., Tanaka, Y., and V. Beeram, "Stateful Path Computation Element (PCE) Protocol Extensions for Usage with Point-to-Multipoint TE Label Switched Paths (LSPs)", RFC 8623, DOI 10.17487/RFC8623, June 2019, <<https://www.rfc-editor.org/info/rfc8623>>.
- [RFC8664] Sivabalan, S., Filsfils, C., Tantsura, J., Henderickx, W., and J. Hardwick, "Path Computation Element Communication Protocol (PCEP) Extensions for Segment Routing", RFC 8664, DOI 10.17487/RFC8664, December 2019, <<https://www.rfc-editor.org/info/rfc8664>>.
- [RFC8685] Zhang, F., Zhao, Q., Gonzalez de Dios, O., Casellas, R., and D. King, "Path Computation Element Communication Protocol (PCEP) Extensions for the Hierarchical Path Computation Element (H-PCE) Architecture", RFC 8685, DOI 10.17487/RFC8685, December 2019, <<https://www.rfc-editor.org/info/rfc8685>>.
- [RFC8697] Minei, I., Crabbe, E., Sivabalan, S., Ananthakrishnan, H., Dhody, D., and Y. Tanaka, "Path Computation Element Communication Protocol (PCEP) Extensions for Establishing Relationships between Sets of Label Switched Paths (LSPs)", RFC 8697, DOI 10.17487/RFC8697, January 2020, <<https://www.rfc-editor.org/info/rfc8697>>.
- [RFC8745] Ananthakrishnan, H., Sivabalan, S., Barth, C., Minei, I., and M. Negi, "Path Computation Element Communication Protocol (PCEP) Extensions for Associating Working and Protection Label Switched Paths (LSPs) with Stateful PCE", RFC 8745, DOI 10.17487/RFC8745, March 2020, <<https://www.rfc-editor.org/info/rfc8745>>.
- [RFC8776] Saad, T., Gandhi, R., Liu, X., Beeram, V., and I. Bryskin, "Common YANG Data Types for Traffic Engineering", RFC 8776, DOI 10.17487/RFC8776, June 2020, <<https://www.rfc-editor.org/info/rfc8776>>.
- [RFC8779] Margaria, C., Ed., Gonzalez de Dios, O., Ed., and F. Zhang, Ed., "Path Computation Element Communication Protocol (PCEP) Extensions for GMPLS", RFC 8779, DOI 10.17487/RFC8779, July 2020, <<https://www.rfc-editor.org/info/rfc8779>>.
- [RFC8800] Litkowski, S., Sivabalan, S., Barth, C., and M. Negi, "Path Computation Element Communication Protocol (PCEP) Extension for Label Switched Path (LSP) Diversity Constraint Signaling", RFC 8800, DOI 10.17487/RFC8800, July 2020, <<https://www.rfc-editor.org/info/rfc8800>>.
- [RFC9000] Iyengar, J., Ed. and M. Thomson, Ed., "QUIC: A UDP-Based Multiplexed and Secure Transport", RFC 9000, DOI 10.17487/RFC9000, May 2021, <<https://www.rfc-editor.org/info/rfc9000>>.



- [RFC9005] Litkowski, S., Sivabalan, S., Tantsura, J., Hardwick, J., and C. Li, "Path Computation Element Communication Protocol (PCEP) Extension for Associating Policies and Label Switched Paths (LSPs)", RFC 9005, DOI 10.17487/RFC9005, March 2021, <<https://www.rfc-editor.org/info/rfc9005>>.
- [RFC9129] Yeung, D., Qu, Y., Zhang, Z., Chen, I., and A. Lindem, "YANG Data Model for the OSPF Protocol", RFC 9129, DOI 10.17487/RFC9129, October 2022, <<https://www.rfc-editor.org/info/rfc9129>>.
- [RFC9130] Litkowski, S., Ed., Yeung, D., Lindem, A., Zhang, J., and L. Lhotka, "YANG Data Model for the IS-IS Protocol", RFC 9130, DOI 10.17487/RFC9130, October 2022, <<https://www.rfc-editor.org/info/rfc9130>>.
- [RFC9168] Dhody, D., Farrel, A., and Z. Li, "Path Computation Element Communication Protocol (PCEP) Extension for Flow Specification", RFC 9168, DOI 10.17487/RFC9168, January 2022, <<https://www.rfc-editor.org/info/rfc9168>>.
- [RFC9353] Lopez, D., Wu, Q., Dhody, D., Ma, Q., and D. King, "IGP Extension for Path Computation Element Communication Protocol (PCEP) Security Capability Support in PCE Discovery (PCED)", RFC 9353, DOI 10.17487/RFC9353, January 2023, <<https://www.rfc-editor.org/info/rfc9353>>.
- [RFC9358] Lee, Y., Zheng, H., and D. Ceccarelli, "Path Computation Element Communication Protocol (PCEP) Extensions for Establishing Relationships between Sets of Label Switched Paths and Virtual Networks", RFC 9358, DOI 10.17487/RFC9358, February 2023, <<https://www.rfc-editor.org/info/rfc9358>>.
- [RFC9645] Watsen, K., "YANG Groupings for TLS Clients and TLS Servers", RFC 9645, DOI 10.17487/RFC9645, October 2024, <<https://www.rfc-editor.org/info/rfc9645>>.

## 11.2. Informative References

- [IANA-IGP] IANA, "Path Computation Element (PCE) Capability Flags", <<https://www.iana.org/assignments/igp-parameters>>.
- [IANA-PCEP] IANA, "ASSOCIATION Type Field", <<https://www.iana.org/assignments/pcep>>.
- [PCEPS-UPDATE] Dhody, D., Turner, S., and R. Housley, "Updates for PCEPS: TLS Connection Establishment Restrictions", Work in Progress, Internet-Draft, draft-ietf-pcep-tls13-04, 9 January 2024, <<https://datatracker.ietf.org/doc/html/draft-ietf-pcep-tls13-04>>.
- [RFC4655] Farrel, A., Vasseur, J.-P., and J. Ash, "A Path Computation Element (PCE)-Based Architecture", RFC 4655, DOI 10.17487/RFC4655, August 2006, <<https://www.rfc-editor.org/info/rfc4655>>.
- [RFC5246] Dierks, T. and E. Rescorla, "The Transport Layer Security (TLS) Protocol Version 1.2", RFC 5246, DOI 10.17487/RFC5246, August 2008, <<https://www.rfc-editor.org/info/rfc5246>>.

- [RFC7420]** Koushik, A., Stephan, E., Zhao, Q., King, D., and J. Hardwick, "Path Computation Element Communication Protocol (PCEP) Management Information Base (MIB) Module", RFC 7420, DOI 10.17487/RFC7420, December 2014, <<https://www.rfc-editor.org/info/rfc7420>>.
- [RFC8051]** Zhang, X., Ed. and I. Minei, Ed., "Applicability of a Stateful Path Computation Element (PCE)", RFC 8051, DOI 10.17487/RFC8051, January 2017, <<https://www.rfc-editor.org/info/rfc8051>>.
- [RFC8342]** Bjorklund, M., Schoenwaelder, J., Shafer, P., Watsen, K., and R. Wilton, "Network Management Datastore Architecture (NMDA)", RFC 8342, DOI 10.17487/RFC8342, March 2018, <<https://www.rfc-editor.org/info/rfc8342>>.
- [RFC8751]** Dhody, D., Lee, Y., Ceccarelli, D., Shin, J., and D. King, "Hierarchical Stateful Path Computation Element (PCE)", RFC 8751, DOI 10.17487/RFC8751, March 2020, <<https://www.rfc-editor.org/info/rfc8751>>.
- [RFC9603]** Li, C., Ed., Kaladharan, P., Sivabalan, S., Koldychev, M., and Y. Zhu, "Path Computation Element Communication Protocol (PCEP) Extensions for IPv6 Segment Routing", RFC 9603, DOI 10.17487/RFC9603, July 2024, <<https://www.rfc-editor.org/info/rfc9603>>.
- [YANG-GUIDELINES]** Bierman, A., Boucadair, M., and Q. Wu, "Guidelines for Authors and Reviewers of Documents Containing YANG Data Models", Work in Progress, Internet-Draft, draft-ietf-netmod-rfc8407bis-28, 5 June 2025, <<https://datatracker.ietf.org/doc/html/draft-ietf-netmod-rfc8407bis-28>>.
- [YANG-PCEP-SRV6]** Li, C., Sivabalan, S., Peng, S., Koldychev, M., and L. Ndifor, "A YANG Data Model for Segment Routing (SR) Policy and SR in IPv6 (SRv6) support in Path Computation Element Communications Protocol (PCEP)", Work in Progress, Internet-Draft, draft-ietf-pce-pcep-srv6-yang-07, 21 April 2025, <<https://datatracker.ietf.org/doc/html/draft-ietf-pce-pcep-srv6-yang-07>>.
- [YANG-TE]** Saad, T., Gandhi, R., Liu, X., Beeram, V. P., and I. Bryskin, "A YANG Data Model for Traffic Engineering Tunnels, Label Switched Paths and Interfaces", Work in Progress, Internet-Draft, draft-ietf-teas-yang-te-38, 29 May 2025, <<https://datatracker.ietf.org/doc/html/draft-ietf-teas-yang-te-38>>.

## Appendix A. The Full PCEP Data Model

The module "ietf-pcep" defines the basic components of a PCE speaker. The tree depth in the tree is set to 10.

```

module: ietf-pcep
  +--rw pcep!
    +--rw entity
      +--rw addr*                inet:ip-address-no-zone
      +--rw enabled?             boolean
      +--rw role                  role

```

```

+--rw description?                string
+--rw speaker-entity-id?          string {sync-opt}?
+--rw admin-status?              boolean
+--ro index?                      uint32
+--ro oper-status?                oper-status
+--rw domains
| +--rw domain* [type domain]
|   +--rw type                    identityref
|   +--rw domain                  domain
+--rw capabilities
| +--rw capability?               bits
| +--rw pce-initiated?           boolean {pce-initiated}?
| +--rw include-db-ver?          boolean {stateful, sync-opt}?
| +--rw trigger-resync?          boolean {stateful, sync-opt}?
| +--rw trigger-initial-sync?    boolean {stateful, sync-opt}?
| +--rw incremental-sync?        boolean {stateful, sync-opt}?
| +--rw sr-mpls {sr-mpls}?
| | +--rw enabled?               boolean
| | +--rw no-msd-limit?          boolean
| | +--rw nai?                   boolean
| +--rw stateful-gmpls {stateful, gmpls}?
| | +--rw enabled?               boolean
| +--rw inter-layer?             boolean {inter-layer}?
| +--rw h-pce {h-pce}?
| | +--rw enabled?               boolean
| | +--rw stateful?              boolean {stateful}?
| | +--rw role?                  hpce-role
+--ro msd?                        uint8 {sr-mpls}?
+--rw auth
| +--rw (auth-type-selection)?
| | +--:(auth-key-chain)
| | | +--rw key-chain?
| | | | key-chain:key-chain-ref
| | | +--:(auth-key)
| | | | +--rw crypto-algorithm    identityref
| | | | +--rw (key-string-style)?
| | | | | +--:(keystring)
| | | | | | +--rw keystring?      string
| | | | | +--:(hexadecimal) {key-chain:hex-key-string}?
| | | | | | +--rw hexadecimal-string? yang:hex-string
| | | +--:(auth-tls) {tls}?
| | | | +--rw (role)?
| | | | | +--:(server)
| | | | | | +--rw tls-server
| | | | | | | +--rw server-identity
| | | | | | | | +--rw (auth-type)
| | | | | | | | ...
| | | | | | +--rw client-authentication!
| | | | | | | | {client-auth-supported}?
| | | | | | | | +--rw ca-certs! {client-auth-x509-cert}?
| | | | | | | | | ...
| | | | | | | | +--rw ee-certs! {client-auth-x509-cert}?
| | | | | | | | | ...
| | | | | | | | +--rw raw-public-keys!
| | | | | | | | | {client-auth-raw-public-key}?
| | | | | | | | | ...
| | | | | | | | +--rw tls12-psks?          empty
| | | | | | | | | {client-auth-tls12-psk}?

```

```

| | | | +--rw tls13-epsks?          empty
| | | | | {client-auth-tls13-epsk}?
+--rw hello-params {tlscmn:hello-params}?
| | | | +--rw tls-versions
| | | | | ...
| | | | +--rw cipher-suites
| | | | | ...
+--rw keepalives {tls-server-keepalives}?
+--rw peer-allowed-to-send? empty
+--rw test-peer-aliveness!
| | | | ...
+--:(client)
+--rw tls-client
+--rw client-identity!
| | | | +--rw (auth-type)
| | | | | ...
+--rw server-authentication
| | | | +--rw ca-certs! {server-auth-x509-cert}?
| | | | | ...
| | | | +--rw ee-certs! {server-auth-x509-cert}?
| | | | | ...
| | | | +--rw raw-public-keys!
| | | | | {server-auth-raw-public-key}?
| | | | | ...
| | | | +--rw tls12-psks?          empty
| | | | | {server-auth-tls12-psk}?
+--rw tls13-epsks?          empty
| | | | | {server-auth-tls13-epsk}?
+--rw hello-params {tlscmn:hello-params}?
| | | | +--rw tls-versions
| | | | | ...
| | | | +--rw cipher-suites
| | | | | ...
+--rw keepalives {tls-client-keepalives}?
+--rw peer-allowed-to-send? empty
+--rw test-peer-aliveness!
| | | | ...
+--rw pce-info
+--rw scope
| | | | +--rw path-scope?          bits
| | | | +--rw intra-area-pref?   uint8
| | | | +--rw inter-area-pref?   uint8
| | | | +--rw inter-as-pref?     uint8
| | | | +--rw inter-layer-pref?  uint8
+--rw neighbor-domains
| | | | +--rw domain* [type domain]
| | | | | +--rw type          identityref
| | | | | +--rw domain      domain
+--rw path-key {path-key}?
| | | | +--rw enabled?          boolean
| | | | +--rw discard-timer?   uint32
| | | | +--rw reuse-time?     uint32
| | | | +--rw pce-id?         inet:ip-address-no-zone
+--rw connect-timer?          uint16
+--rw connect-max-retry?     uint32
+--rw init-back-off-timer    uint16
+--rw max-back-off-timer     uint32
+--ro open-wait-timer?       uint16

```

```

+--ro keep-wait-timer?          uint16
+--rw keepalive-timer?         uint8
+--rw dead-timer?             uint8
+--rw allow-negotiation?      boolean
+--rw max-keepalive-timer     uint8
+--rw max-dead-timer         uint8
+--rw min-keepalive-timer     uint8
+--rw min-dead-timer         uint8
+--rw sync-timer?            uint16 {svec}?
+--rw request-timer          uint16
+--rw max-sessions           uint32
+--rw max-unknown-reqs?     uint32
+--rw max-unknown-msgs?     uint32
+--rw pcep-notification-max-rate uint32
+--rw stateful-parameter {stateful}?
| +--rw state-timeout        uint32
| +--rw redelegation-timeout uint32
| +--rw rpt-non-pcep-lsp?    boolean
+--rw of-list {objective-function}?
| +--rw objective-function* [of]
|   +--rw of identityref
+--ro lsp-db {stateful}?
| +--ro db-ver?              uint64 {sync-opt}?
| +--ro association-list*
|   [type id source global-source extended-id]
|   {association}?
|   +--ro type                identityref
|   +--ro id                  uint16
|   +--ro source              inet:ip-address-no-zone
|   +--ro global-source       uint32
|   +--ro extended-id        string
|   +--ro lsp* [plsp-id pcc-id lsp-id]
|     +--ro plsp-id          -> /pcep/entity/lsp-db/lsp/plsp-id
|     +--ro pcc-id           leafref
|     +--ro lsp-id           leafref
+--ro lsp* [plsp-id pcc-id lsp-id]
| +--ro plsp-id              uint32
| +--ro pcc-id               inet:ip-address-no-zone
| +--ro source?              inet:ip-address-no-zone
| +--ro destination?        inet:ip-address-no-zone
| +--ro tunnel-id?          uint16
| +--ro lsp-id               uint16
| +--ro extended-tunnel-id?  inet:ip-address-no-zone
| +--ro admin-state?        boolean
| +--ro operational-state?   operational-state
| +--ro delegated
| | +--ro enabled?          boolean
| | +--ro peer?            -> /pcep/entity/peers/peer/addr
| | +--ro srp-id?          uint32
+--ro initiation {pce-initiated}?
| +--ro enabled?          boolean
| +--ro peer?            -> /pcep/entity/peers/peer/addr
+--ro symbolic-path-name?   string
+--ro last-error?           identityref
+--ro pst?                   identityref
+--ro association-list*
| [type id source global-source extended-id]
| {association}?

```

```

    +--ro type
    |   -> /pcep/entity/lsp-db/association-list/type
    +--ro id          leafref
    +--ro source      leafref
    +--ro global-source leafref
    +--ro extended-id leafref
+--ro path-keys {path-key}?
+--ro path-key* [key]
+--ro key            uint16
+--ro cps
|   +--ro explicit-route-objects* [index]
|   |   +--ro index          uint32
|   |   +--ro (type)?
|   |   |   +--:(numbered-node-hop)
|   |   |   |   +--ro numbered-node-hop
|   |   |   |   |   +--ro node-id      te-node-id
|   |   |   |   |   +--ro hop-type?   te-hop-type
|   |   |   +--:(numbered-link-hop)
|   |   |   |   +--ro numbered-link-hop
|   |   |   |   |   +--ro link-tp-id   te-tp-id
|   |   |   |   |   +--ro hop-type?   te-hop-type
|   |   |   |   |   +--ro direction? te-link-direction
|   |   |   +--:(unnumbered-link-hop)
|   |   |   |   +--ro unnumbered-link-hop
|   |   |   |   |   +--ro link-tp-id   te-tp-id
|   |   |   |   |   +--ro node-id      te-node-id
|   |   |   |   |   +--ro hop-type?   te-hop-type
|   |   |   |   |   +--ro direction?   te-link-direction
|   |   |   +--:(as-number)
|   |   |   |   +--ro as-number-hop
|   |   |   |   |   +--ro as-number   inet:as-number
|   |   |   |   |   +--ro hop-type?   te-hop-type
|   |   |   +--:(label)
|   |   |   |   +--ro label-hop
|   |   |   |   |   +--ro te-label
|   |   |   ...
+--ro pcc-requester? -> /pcep/entity/peers/peer/addr
+--ro req-id?        uint32
+--ro retrieved?     boolean
+--ro pcc-retrieved? -> /pcep/entity/peers/peer/addr
+--ro creation-time? yang:timestamp
+--ro discard-time?  uint32
+--ro reuse-time?    uint32
+--rw peers
+--rw peer* [addr]
+--rw addr          inet:ip-address-no-zone
+--rw role          role
+--rw description?  string
+--rw domains
|   +--rw domain* [type domain]
|   |   +--rw type      identityref
|   |   +--rw domain    domain
+--rw capabilities
|   +--rw capability?    bits
|   +--rw pce-initiated? boolean
|   |   {pce-initiated}?
|   +--rw include-db-ver? boolean
|   |   {stateful, sync-opt}?

```

```

| +--rw trigger-resync?          boolean
| | {stateful, sync-opt}?
| +--rw trigger-initial-sync?    boolean
| | {stateful, sync-opt}?
| +--rw incremental-sync?        boolean
| | {stateful, sync-opt}?
+--rw sr-mpls {sr-mpls}?
| +--rw enabled?                 boolean
| +--rw no-msd-limit?            boolean
| +--rw nai?                     boolean
+--rw stateful-gmpls {stateful, gmpls}?
| +--rw enabled?                 boolean
+--rw inter-layer?                boolean {inter-layer}?
+--rw h-pce {h-pce}?
| +--rw enabled?                 boolean
| +--rw stateful?                boolean {stateful}?
| +--rw role?                    hpce-role
+--ro msd?                         uint8 {sr-mpls}?
+--rw pce-info
| +--rw scope
| | +--rw path-scope?             bits
| | +--rw intra-area-pref?        uint8
| | +--rw inter-area-pref?        uint8
| | +--rw inter-as-pref?          uint8
| | +--rw inter-layer-pref?       uint8
+--rw neighbor-domains
| +--rw domain* [type domain]
| | +--rw type                    identityref
| | +--rw domain                  domain
+--rw delegation-pref              uint8 {stateful}?
+--rw auth
| +--rw (auth-type-selection)?
| | +--:(auth-key-chain)
| | | +--rw key-chain?
| | | | key-chain:key-chain-ref
| | | +--:(auth-key)
| | | | +--rw crypto-algorithm      identityref
| | | | +--rw (key-string-style)?
| | | | | +--:(keystring)
| | | | | | +--rw keystring?         string
| | | | | | +--:(hexadecimal)
| | | | | | | {key-chain:hex-key-string}?
| | | | | | +--rw hexadecimal-string?
| | | | | | | yang:hex-string
| | | +--:(auth-tls) {tls}?
| | | | +--rw (role)?
| | | | | +--:(server)
| | | | | | +--rw tls-server
| | | | | | | ...
| | | | +--:(client)
| | | | | +--rw tls-client
| | | | | | ...
+--ro discontinuity-time?          yang:timestamp
+--ro initiate-session?           boolean
+--ro session-exists?             boolean
+--ro session-up-time?            yang:timestamp
+--ro session-fail-time?          yang:timestamp
+--ro session-fail-up-time?       yang:timestamp

```

```

    +--ro sessions
      +--ro session* [initiator]
        +--ro initiator                initiator
        +--ro role?
          |   -> ../../../../role
        +--ro state-last-change?       yang:timestamp
        +--ro state?                   sess-state
        +--ro session-creation?        yang:timestamp
        +--ro connect-retry?           yang:counter32
        +--ro local-id?                uint8
        +--ro remote-id?               uint8
        +--ro keepalive-timer?         uint8
        +--ro peer-keepalive-timer?    uint8
        +--ro dead-timer?              uint8
        +--ro peer-dead-timer?         uint8
        +--ro ka-hold-time-rem?        uint8
        +--ro overloaded?              boolean
        +--ro overloaded-timestamp?    yang:timestamp
        +--ro overload-time?           uint32
        +--ro peer-overloaded?         boolean
        +--ro peer-overloaded-timestamp? yang:timestamp
        +--ro peer-overload-time?      uint32
        +--ro lspdb-sync?              sync-state
          |   {stateful}?
        +--ro recv-db-ver?             uint64
          |   {stateful, sync-opt}?
        +--ro of-list {objective-function}?
          |   +--ro objective-function* [of]
          |   +--ro of identityref
        +--ro pst-list
          |   +--ro path-setup-type* [pst]
          |   +--ro pst identityref
        +--ro assoc-type-list {association}?
          |   +--ro assoc-type* [at]
          |   +--ro at identityref
        +--ro speaker-entity-id?       string
          {sync-opt}?

rpcs:
  +---x trigger-resync {stateful, sync-opt}?
    +---w input
      +---w pcc    -> /pcep/entity/peers/peer/addr

notifications:
  +---n pcep-session-up
    |   +--ro peer-addr?    -> /pcep/entity/peers/peer/addr
    |   +--ro session-initiator? leafref
    |   +--ro state-last-change? yang:timestamp
    |   +--ro state?       sess-state
  +---n pcep-session-down
    |   +--ro peer-addr?    -> /pcep/entity/peers/peer/addr
    |   +--ro session-initiator? initiator
    |   +--ro state-last-change? yang:timestamp
    |   +--ro state?       sess-state
  +---n pcep-session-local-overload
    |   +--ro peer-addr?    -> /pcep/entity/peers/peer/addr
    |   +--ro session-initiator? leafref
    |   +--ro overloaded?   boolean

```



```
| +--ro overloaded-timestamp? yang:timestamp
| +--ro overload-time?      uint32
+---n pcep-session-local-overload-clear
| +--ro peer-addr?
| |      -> /pcep/entity/peers/peer/addr
| +--ro overloaded?        boolean
| +--ro overloaded-clear-timestamp? yang:timestamp
+---n pcep-session-peer-overload
| +--ro peer-addr?
| |      -> /pcep/entity/peers/peer/addr
| +--ro session-initiator? leafref
| +--ro peer-overloaded?   boolean
| +--ro peer-overloaded-timestamp? yang:timestamp
| +--ro peer-overload-time? uint32
+---n pcep-session-peer-overload-clear
+--ro peer-addr?
|      -> /pcep/entity/peers/peer/addr
+--ro peer-overloaded?        boolean
+--ro peer-overloaded-clear-timestamp? yang:timestamp
```

## Appendix B. Example

The example below provides an overview of PCEP peer session information and LSP-DB in the "ietf-pcep" module.

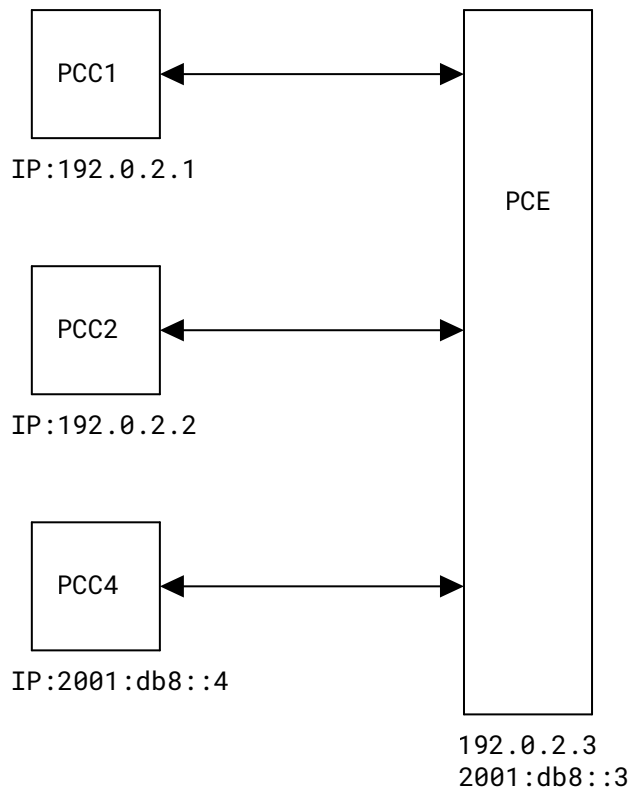


Figure 1: Example

```

at PCE:
{
  "ietf-pcep:pcep": {
    "entity": {
      "addr": [
        "192.0.2.3",
        "2001:db8::3"
      ],
      "role": "pce",
      "oper-status": "oper-status-up",
      "capabilities": {
        "capability": "active passive"
      },
      "init-back-off-timer": 5,
      "max-back-off-timer": 3600,
      "max-keepalive-timer": 255,
      "max-dead-timer": 255,
      "min-keepalive-timer": 1,
      "min-dead-timer": 30,
      "request-timer": 300,
      "max-sessions": 2400,
      "pcep-notification-max-rate": 5,
      "stateful-parameter": {
        "state-timeout": 300
      },
    },
  },
}

```

```

"lsp-db": {
  "lsp": [
    {
      "plsp-id": 3,
      "pcc-id": "192.0.2.1",
      "source": "192.0.2.1",
      "destination": "192.0.2.4",
      "tunnel-id": 16,
      "lsp-id": 3,
      "extended-tunnel-id": "0.0.0.0",
      "operational-state": "up",
      "delegated": {
        "enabled": true
      },
      "symbolic-path-name": "iewauh"
    },
    {
      "plsp-id": 4,
      "pcc-id": "192.0.2.2",
      "source": "192.0.2.2",
      "destination": "192.0.2.5",
      "tunnel-id": 17,
      "lsp-id": 4,
      "extended-tunnel-id": "0.0.0.0",
      "operational-state": "up",
      "delegated": {
        "enabled": true
      },
      "symbolic-path-name": "iewauhiewauh"
    }
  ]
},
"peers": {
  "peer": [
    {
      "addr": "192.0.2.1",
      "role": "pcc",
      "capabilities": {
        "capability": "active passive"
      },
      "sessions": {
        "session": [
          {
            "initiator": "remote",
            "role": "pcc"
          }
        ]
      }
    },
    {
      "addr": "192.0.2.2",
      "role": "pcc",
      "capabilities": {
        "capability": "active passive"
      },
      "sessions": {
        "session": [
          {

```

```
        "initiator": "remote",
        "role": "pcc"
    }
  ]
},
{
  "addr": "2001:db8::4",
  "role": "pcc",
  "capabilities": {
    "capability": "active passive"
  },
  "sessions": {
    "session": [
      {
        "initiator": "remote",
        "role": "pcc"
      }
    ]
  }
}
]
```

Similarly, a PCEP session with an IPv6 address between a PCE (2001:db8::3) and a PCC (2001:db8::4) could also be set up.

## Appendix C. Design Objectives

This section describes some of the design objectives for the model:

- Existing implementations need to map the data model defined in this document to their proprietary data model. To facilitate such mappings, the data model should be simple.
- The data model should be suitable for new implementations to use as is.
- Mapping to the PCEP MIB module [\[RFC7420\]](#) should be clear.
- The data model should allow for static configurations of peers.
- The data model should include read-only counters in order to gather statistics for sent and received PCEP messages, received messages with errors, and messages that could not be sent due to errors. This could be in a separate model that augments the base data model.
- It should be fairly straightforward to augment the base data model for advanced PCE features.

## Appendix D. Relationship with PCEP MIB

If a node implements the PCEP MIB [\[RFC7420\]](#), data nodes from the YANG module can be mapped to table entries in the PCEP MIB.

YANG Data Nodes	PCEP MIB Objects
/pcep/entity	PcePcepEntityEntry
/pcep/entity/peers/peer	pcePcepPeerEntry
/pcep/entity/peers/peer/sessions/session	pcePcepSessEntry

Table 3: High-Level Relationship with PCEP MIB

YANG Data Nodes	PCEP MIB Objects
-	pcePcepEntityIndex
admin-status	pcePcepEntityAdminStatus
oper-status	pcePcepEntityOperStatus
addr	pcePcepEntityAddrType, pcePcepEntityAddr
connect-timer	pcePcepEntityConnectTimer
connect-max-retry	pcePcepEntityConnectMaxRetry
init-back-off-timer	pcePcepEntityInitBackoffTimer
max-back-off-timer	pcePcepEntityMaxBackoffTimer
open-wait-timer	pcePcepEntityOpenWaitTimer
keep-wait-timer	pcePcepEntityKeepWaitTimer
keepalive-timer	pcePcepEntityKeepAliveTimer
dead-timer	pcePcepEntityDeadTimer
allow-negotiation	pcePcepEntityAllowNegotiation
max-keepalive-timer	pcePcepEntityMaxKeepAliveTimer
max-dead-timer	pcePcepEntityMaxDeadTimer
min-keepalive-timer	pcePcepEntityMinKeepAliveTimer
min-dead-timer	pcePcepEntityMinDeadTimer
sync-timer	pcePcepEntitySyncTimer
request-timer	pcePcepEntityRequestTimer

YANG Data Nodes	PCEP MIB Objects
max-sessions	pcePcepEntityMaxSessions
max-unknown-reqs	pcePcepEntityMaxUnknownReqs
max-unknown-msgs	pcePcepEntityMaxUnknownMsgs

Table 4: Relationship with PCEP MIB for Entity

YANG Data Nodes in /pcep/entity/peers/peer	PCEP MIB Objects
addr	pcePcepPeerAddrType,pcePcepPeerAddr
role	pcePcepPeerRole
discontinuity-time	pcePcepPeerDiscontinuityTime
initiate-session	pcePcepPeerInitiateSession
session-exists	pcePcepPeerSessionExists
sess-setup-ok	pcePcepPeerNumSessSetupOK
sess-setup-fail	pcePcepPeerNumSessSetupFail
session-up-time	pcePcepPeerSessionUpTime
session-fail-time	pcePcepPeerSessionFailTime
session-fail-up-time	pcePcepPeerSessionFailUpTime
/stats/rsp-time-avg	pcePcepPeerAvgRspTime
/stats/rsp-time-lwm	pcePcepPeerLWMRspTime
/stats/rsp-time-hwm	pcePcepPeerHWMRspTime
/stats/pcreq-sent	pcePcepPeerNumPCReqSent
/stats/pcreq-rcvd	pcePcepPeerNumPCReqRcvd
/stats/pcprep-sent	pcePcepPeerNumPCRepSent
/stats/pcprep-rcvd	pcePcepPeerNumPCRepRcvd
/stats/pcerr-sent	pcePcepPeerNumPCErrSent
/stats/pcerr-rcvd	pcePcepPeerNumPCErrRcvd

YANG Data Nodes in /pcep/entity/peers/peer	PCEP MIB Objects
/stats/pcntf-sent	pcePcepPeerNumPCntfSent
/stats/pcntf-rcvd	pcePcepPeerNumPCntfRcvd
/stats/keepalive-sent	pcePcepPeerNumKeepaliveSent
/stats/keepalive-rcvd	pcePcepPeerNumKeepaliveRcvd
/stats/unknown-rcvd	pcePcepPeerNumUnknownRcvd
/stats/corrupt-rcvd	pcePcepPeerNumCorruptRcvd
/stats/req-sent	pcePcepPeerNumReqSent
/stats/svec/svec-sent	pcePcepPeerNumSvecSent
/stats/svec/svec-req-sent	pcePcepPeerNumSvecReqSent
/stats/req-sent-pend-rep	pcePcepPeerNumReqSentPendRep
/stats/req-sent-ero-rcvd	pcePcepPeerNumReqSentEroRcvd
/stats/req-sent-nopath-rcvd	pcePcepPeerNumReqSentNoPathRcvd
/stats/req-sent-cancel-rcvd	pcePcepPeerNumReqSentCancelRcvd
/stats/req-sent-error-rcvd	pcePcepPeerNumReqSentErrorRcvd
/stats/req-sent-timeout	pcePcepPeerNumReqSentTimeout
/stats/req-sent-cancel-sent	pcePcepPeerNumReqSentCancelSent
/stats/req-sent-closed	pcePcepPeerNumReqSentClosed
/stats/req-rcvd	pcePcepPeerNumReqRcvd
/stats/svec/svec-rcvd	pcePcepPeerNumSvecRcvd
/stats/svec/svec-req-rcvd	pcePcepPeerNumSvecReqRcvd
/stats/req-rcvd-pend-rep	pcePcepPeerNumReqRcvdPendRep
/stats/req-rcvd-ero-sent	pcePcepPeerNumReqRcvdEroSent
/stats/req-rcvd-nopath-sent	pcePcepPeerNumReqRcvdNoPathSent
/stats/req-rcvd-cancel-sent	pcePcepPeerNumReqRcvdCancelSent

YANG Data Nodes in /pcep/entity/peers/peer	PCEP MIB Objects
/stats/req-rcvd-error-sent	pcePcepPeerNumReqRcvdErrorSent
/stats/req-rcvd-cancel-rcvd	pcePcepPeerNumReqRcvdCancelRcvd
/stats/req-rcvd-closed	pcePcepPeerNumReqRcvdClosed
/stats/rep-rcvd-unknown	pcePcepPeerNumRepRcvdUnknown
/stats/req-rcvd-unknown	pcePcepPeerNumReqRcvdUnknown

Table 5: Relationship with PCEP MIB for Peer

YANG Data Nodes in /pcep/entity/peers/peer/sessions/session	PCEP MIB Objects
initiator	pcePcepSessInitiator
state-last-change	pcePcepSessStateLastChange
state	pcePcepSessState
connect-retry	pcePcepSessConnectRetry
local-id	pcePcepSessLocalID
remote-id	pcePcepSessRemoteID
keepalive-timer	pcePcepSessKeepaliveTimer
peer-keepalive-timer	pcePcepSessPeerKeepaliveTimer
dead-timer	pcePcepSessDeadTimer
peer-dead-timer	pcePcepSessPeerDeadTimer
ka-hold-time-rem	pcePcepSessKAHoldTimeRem
overloaded	pcePcepSessOverloaded
overloaded-timestamp	pcePcepSessOverloadTime
peer-overloaded	pcePcepSessPeerOverloaded
peer-overloaded-timestamp	pcePcepSessPeerOverloadTime
/stats/discontinuity-time	pcePcepSessDiscontinuityTime
/stats/rsp-time-avg	pcePcepSessAvgRspTime



YANG Data Nodes in /pcep/entity/peers/peer/sessions/session	PCEP MIB Objects
/stats/rsp-time-lwm	pcePcepSessLWMRspTime
/stats/rsp-time-hwm	pcePcepSessHWMRspTime
/stats/pcreq-sent	pcePcepSessNumPCReqSent
/stats/pcreq-rcvd	pcePcepSessNumPCReqRcvd
/stats/pcrep-sent	pcePcepSessNumPCRepSent
/stats/pcrep-rcvd	pcePcepSessNumPCRepRcvd
/stats/pcerr-sent	pcePcepSessNumPCErrSent
/stats/pcerr-rcvd	pcePcepSessNumPCErrRcvd
/stats/pcntf-sent	pcePcepSessNumPCNtfSent
/stats/pcntf-rcvd	pcePcepSessNumPCNtfRcvd
/stats/keepalive-sent	pcePcepSessNumKeepaliveSent
/stats/keepalive-rcvd	pcePcepSessNumKeepaliveRcvd
/stats/unknown-rcvd	pcePcepSessNumUnknownRcvd
/stats/corrupt-rcvd	pcePcepSessNumCorruptRcvd
/stats/req-sent	pcePcepSessNumReqSent
/stats/svec/svec-sent	pcePcepSessNumSvecSent
/stats/svec/svec-req-sent	pcePcepSessNumSvecReqSent
/stats/req-sent-pend-rep	pcePcepSessNumReqSentPendRep
/stats/req-sent-ero-rcvd	pcePcepSessNumReqSentEroRcvd
/stats/req-sent-nopath-rcvd	pcePcepSessNumReqSentNoPathRcvd
/stats/req-sent-cancel-rcvd	pcePcepSessNumReqSentCancelRcvd
/stats/req-sent-error-rcvd	pcePcepSessNumReqSentErrorRcvd
/stats/req-sent-timeout	pcePcepSessNumReqSentTimeout
/stats/req-sent-cancel-sent	pcePcepSessNumReqSentCancelSent

YANG Data Nodes in /pcep/entity/peers/peer/sessions/session	PCEP MIB Objects
/stats/req-rcvd	pcePcepSessNumReqRcvd
/stats/svec/svec-rcvd	pcePcepSessNumSvecRcvd
/stats/svec/svec-req-rcvd	pcePcepSessNumSvecReqRcvd
/stats/req-rcvd-pend-rep	pcePcepSessNumReqRcvdPendRep
/stats/req-rcvd-ero-sent	pcePcepSessNumReqRcvdEroSent
/stats/req-rcvd-nopath-sent	pcePcepSessNumReqRcvdNoPathSent
/stats/req-rcvd-cancel-sent	pcePcepSessNumReqRcvdCancelSent
/stats/req-rcvd-error-sent	pcePcepSessNumReqRcvdErrorSent
/stats/req-rcvd-cancel-rcvd	pcePcepSessNumReqRcvdCancelRcvd
/stats/rep-rcvd-unknown	pcePcepSessNumRepRcvdUnknown
/stats/req-rcvd-unknown	pcePcepSessNumReqRcvdUnknown

Table 6: Relationship with PCEP MIB for Session

YANG notifications	PCEP MIB NOTIFICATIONS
pcep-session-up	pcePcepSessUp
pcep-session-down	pcePcepSessDown
pcep-session-local-overload	pcePcepSessLocalOverload
pcep-session-local-overload-clear	pcePcepSessLocalOverloadClear
pcep-session-peer-overload	pcePcepSessPeerOverload
pcep-session-peer-overload-clear	pcePcepSessPeerOverloadClear

Table 7: Relationship with PCEP MIB Notification

## Acknowledgements

The initial draft version of this document was based on the PCEP MIB [RFC7420]. The authors of this document would like to thank the authors of [RFC7420].

Thanks to Martin Bjorklund and Tom Petch for the detailed review. Thanks to Mahesh Jethanandani and Jan Lindblad for the YANGDOCTOR review. Thanks to Scott Kelly for the SECDIR review. Thanks to Gyan Mishra and Matthew Bocci for the RTGDIR review.

## Contributors

### **Rohit Pobbathi**

Nokia Networks

India

Email: [rohit.pobbathi\\_ashok@nokia.com](mailto:rohit.pobbathi_ashok@nokia.com)

### **Vinod KumarS**

India

Email: [vinods.kumar@gmail.com](mailto:vinods.kumar@gmail.com)

### **Zafar Ali**

Cisco Systems

Canada

Email: [zali@cisco.com](mailto:zali@cisco.com)

### **Xufeng Liu**

Email: [xufeng.liu.ietf@gmail.com](mailto:xufeng.liu.ietf@gmail.com)

### **Young Lee**

Samsung

Email: [younglee.tx@gmail.com](mailto:younglee.tx@gmail.com)

### **Udayasree Palle**

Email: [udayasreereddy@gmail.com](mailto:udayasreereddy@gmail.com)

### **Xian Zhang**

Huawei Technologies

Bantian, Longgang District

Shenzhen

518129

China

Email: [zhang.xian@huawei.com](mailto:zhang.xian@huawei.com)

### **Avantika**

Ciena

India

Email: [avantika.srm@gmail.com](mailto:avantika.srm@gmail.com)

### **Shashikanth**

India

Email: [shashivh@gmail.com](mailto:shashivh@gmail.com)

## Authors' Addresses

**Dhruv Dhody (EDITOR)**

Huawei

India

Email: [dhruv.ietf@gmail.com](mailto:dhruv.ietf@gmail.com)**Vishnu Pavan Beeram**

Juniper Networks

India

Email: [vbeeram@juniper.net](mailto:vbeeram@juniper.net)**Jonathan Hardwick**

United Kingdom

Email: [jonathan.e.hardwick@gmail.com](mailto:jonathan.e.hardwick@gmail.com)**Jeff Tantsura**

Nvidia

United States of America

Email: [jefftant.ietf@gmail.com](mailto:jefftant.ietf@gmail.com)